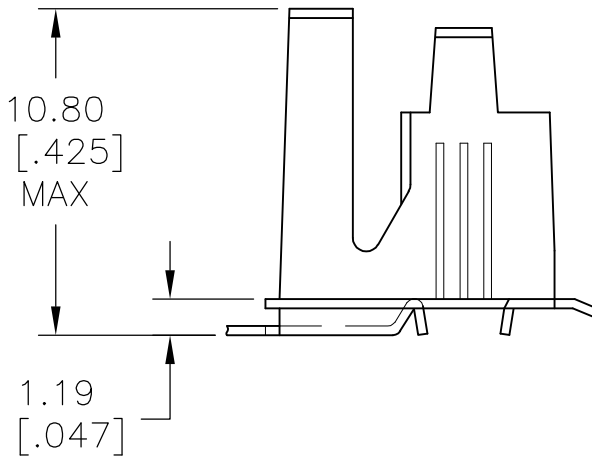
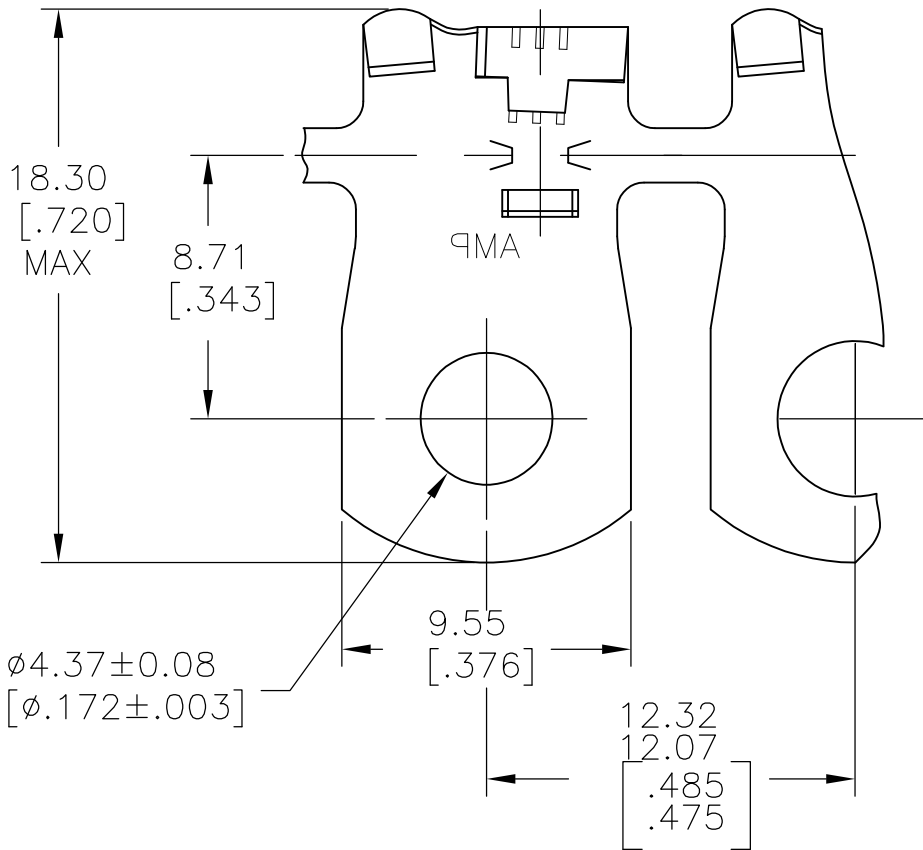


LOC	DIST	REVISIONS					
—	—	P	LTR	DESCRIPTION	DATE	DWN	APVD
		A		REVISED PER ECR-10-019776	22OCT10	HMR	PD



- 1 CONTINUOUS STRIP ON REELS
- 2 WIRE SIZE: #18-12 AWG
- 3 INSULATION RANGE #.110-.210

THIS DRAWING IS UNPUBLISHED.

ALL INTERNATIONAL RIGHTS RESERVED.

COPYRIGHT © BY TYCO ELECTRONICS CORPORATION.

42190-1
PART NUMBER

DIMENSIONS: mm [INCHES]	DWN	22OCT10	MATERIAL	BRASS	FINISH	TIN						
	CHK	22OCT10	Tyco Electronics Corporation Harrisburg, PA 17105-3608									
TOLERANCES UNLESS OTHERWISE SPECIFIED:	APVD	22OCT10	NAME FLAG RING									
	PRODUCT SPEC	—	SIZE	A4	CAGE CODE	00779	DRAWING NO	C-42190	RESTRICTED TO	—		
0 PLC ± -	APPLICATION SPEC	—	WEIGHT	—	CUSTOMER DRAWING		SCALE	4:1	SHEET	1 OF 1	REV	A
1 PLC ± -												
2 PLC ± -												
3 PLC ± .015												
4 PLC ± -												
ANGLES ± 1°												

