

THIS DRAWING IS UNPUBLISHED. RELEASED FOR PUBLICATION
 © COPYRIGHT - By - ALL RIGHTS RESERVED.

LOC		DIST		REVISIONS			
P	LTR	DESCRIPTION		DATE	DWN	APVD	
FT	0	A4	REVISED PER ECO-12-016943		02NOV12	KH	MB

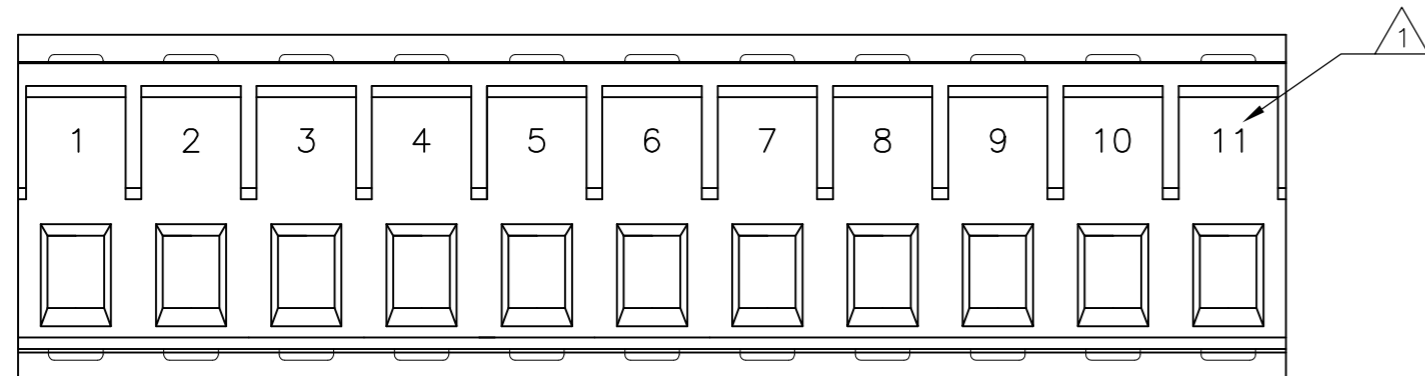
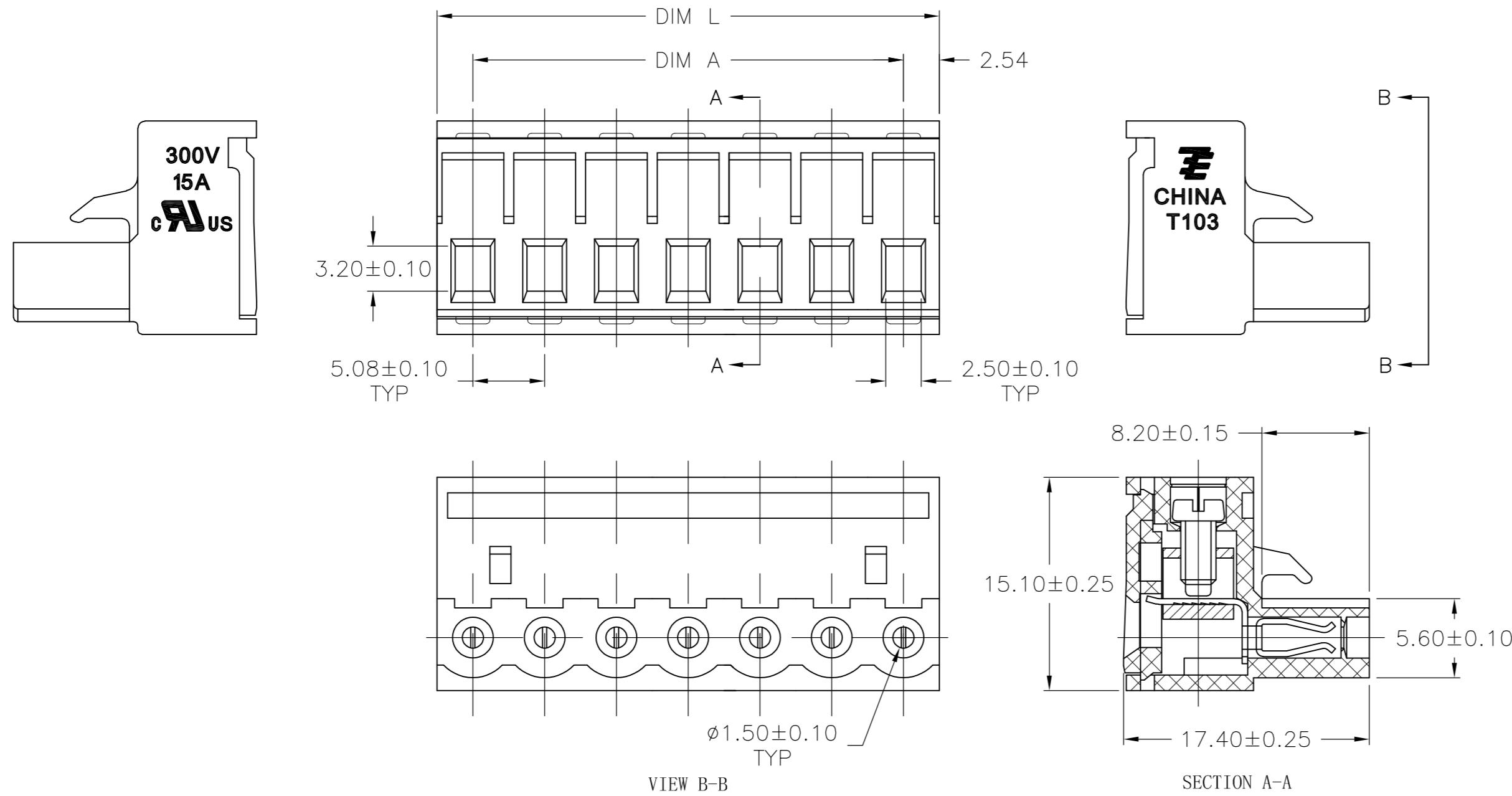
MATERIALS:
 HOUSING: PA66, UL94V-0, GREEN.
 SCREWS; M2.5, STEEL, ZINC CHROMATE.
 CAGE: BRASS, NICKEL PLATE.
 CLAMP: PHOS BRONZE, NICKEL PLATE.

MECHANICAL:
 TIGHTENING TORQUE: 3.5 IN-LB MAX.

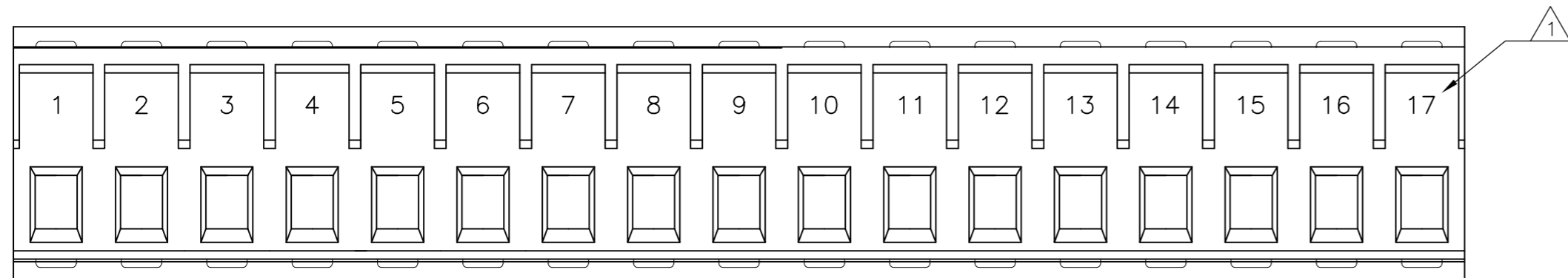
ELECTRICAL:
 CURRENT: 15A
 VOLTAGE: 300V
 WITHSTAND VOLTAGE: AC1500V/ 1MIN
 INSULATION RESISTANCE: 5000Mohm/1000V
 CLAMP RESISTANCE: 20mohm
 WIRE RANGE: 12-28 AWG

ENVIRONMENTAL:
 OPERATING TEMP.: -40° TO +105°C
 MAX SOLDERING: +250°C, 5 SECONDS

- 1 MARKED WITH WHITE PERMANENT INK.
- 2 PRELIMINARY PART NUMBER.



4-1776911-1



4-1776911-7

OBsolete	SEE FIGURE	66.04±0.30	60.96±0.30	17	4-1776911-7
2	-	50.80±0.30	45.72±0.30	12	1-1776911-2
2	SEE FIGURE	45.72±0.30	40.64±0.30	11	4-1776911-1
2	-	25.40±0.20	20.32±0.20	4	1776911-4
2	-	15.24±0.20	10.16±0.20	3	1776911-3
NOTES		DIM L	DIM A	NO OF POSN	PART NUMBER

THIS DRAWING IS A CONTROLLED DOCUMENT.		DWN	S SCHLEGEL	02MAR2007	TE TE Connectivity
DIMENSIONS: mm		CHK	C RICHARD	3/2/07	
TOLERANCES UNLESS OTHERWISE SPECIFIED:		APVD	C RICHARD	3/2/07	
0 PLC ± - 1 PLC ± 0.3 2 PLC ± 0.25 3 PLC ± - 4 PLC ± - ANGLES ± 1°		PRODUCT SPEC	NAME		
MATERIAL		WEIGHT		SIZE CAGE CODE DRAWING NO RESTRICTED TO	
FINISH		CUSTOMER DRAWING		A2 00779 C=1776911	
		SCALE		SHEET 1 OF 1 REV A4	