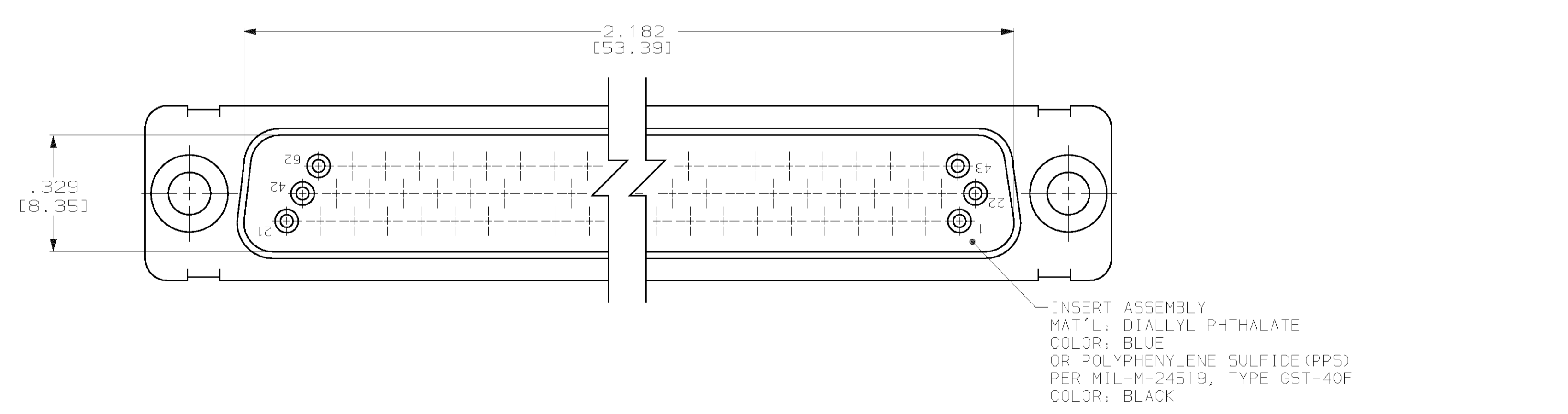
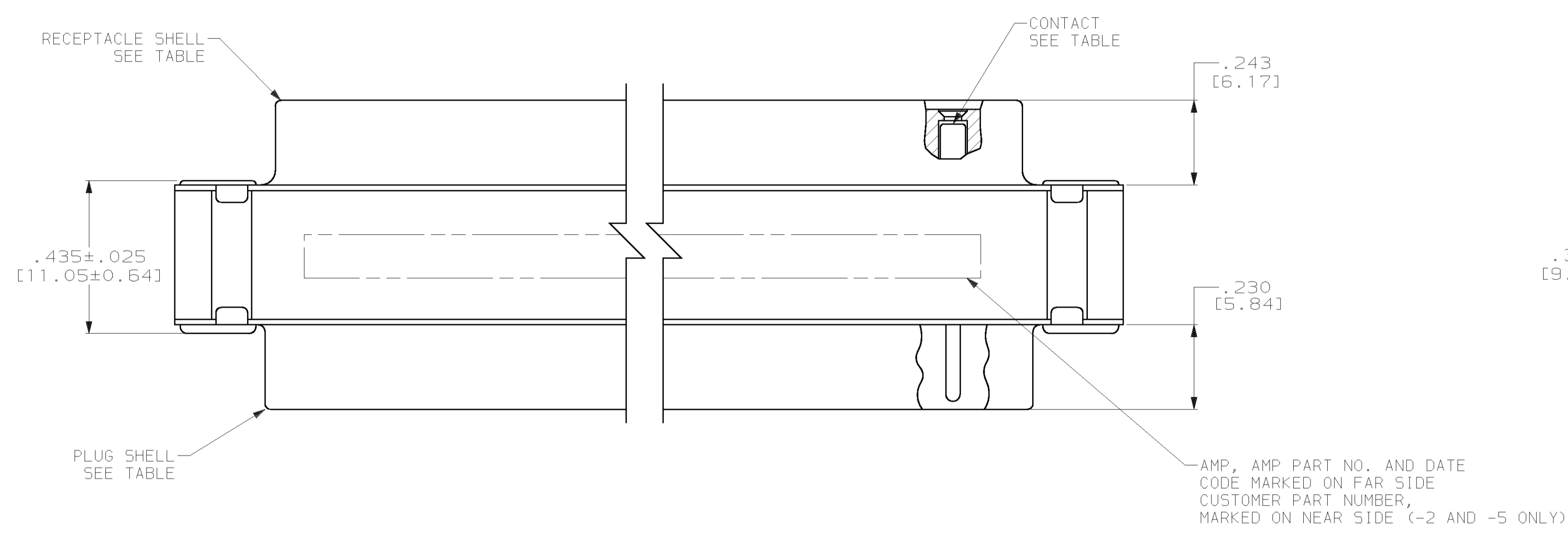
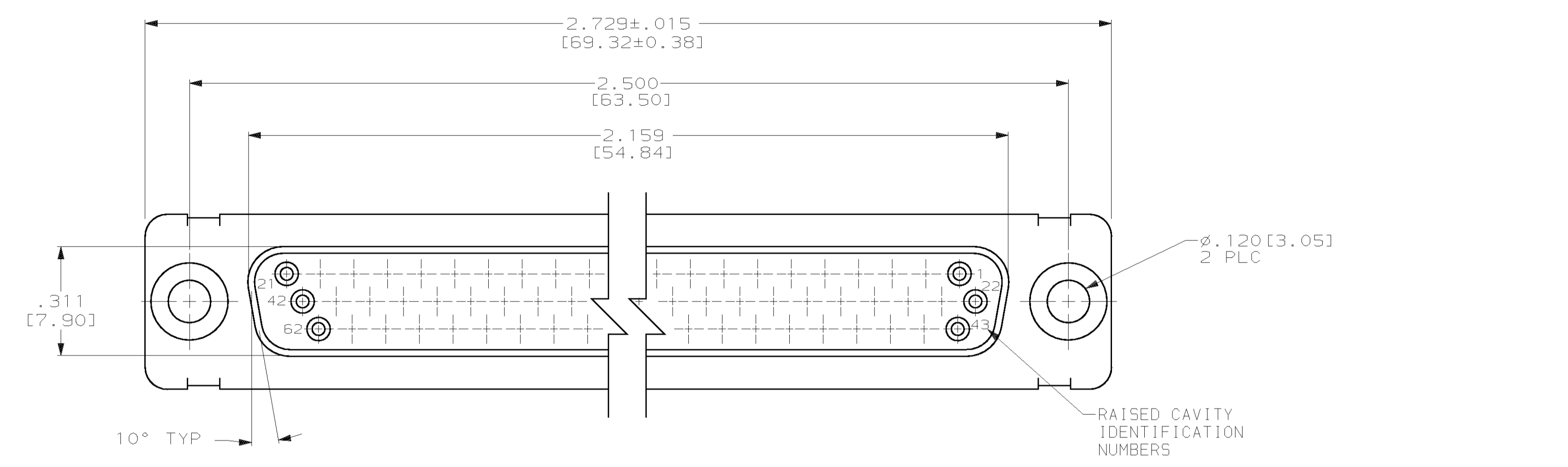
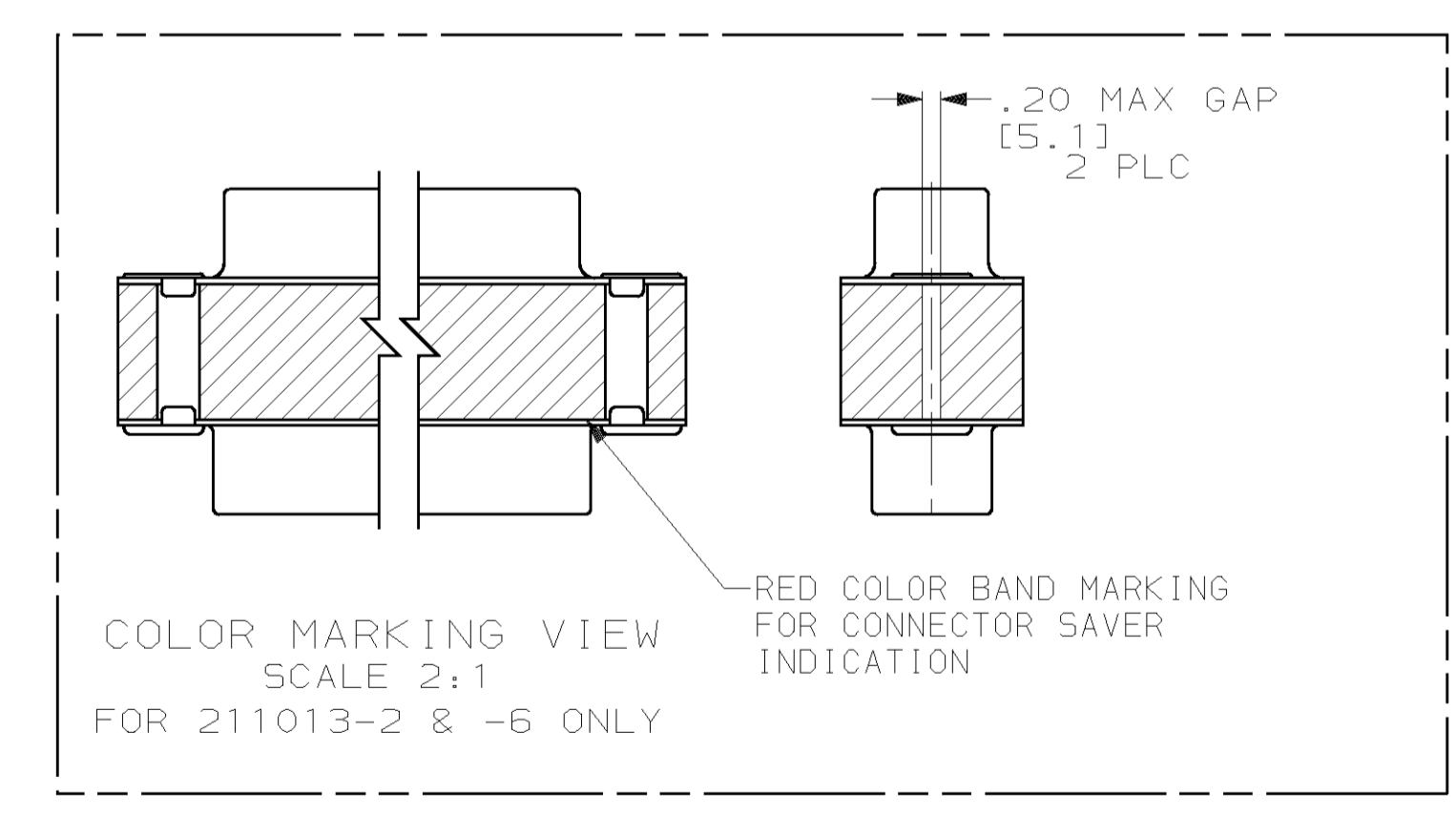
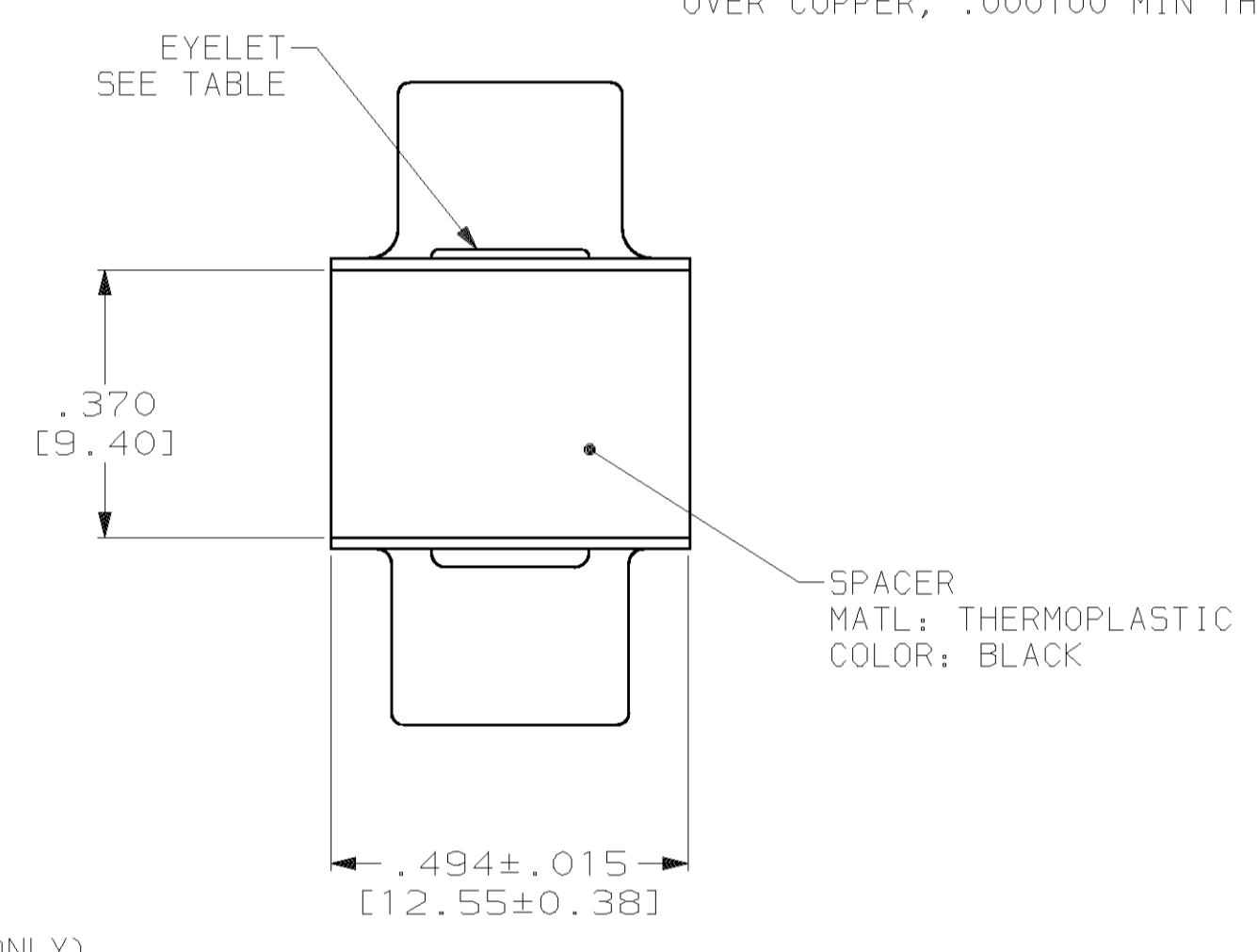


REVISONS		DATE	OWN	APPRO
DF	DO			
U	REV PER	0630-0555-02	11-02	CT LO



- CONTACTS INCLUDED IN ASSEMBLY.
- MATL: STEEL, PER ASTM-A-109.
- FINISH: CADMIUM PER QQ-P-416.
- MATL: BRASS PER ASTM-B-36.
- FINISH: PLATED ZINC .00020 MIN THK PER ASTM-B-633. YELLOW CHROMATE FINISH.
- CONTACT
 BODY MAT'L: BERYLLIUM COPPER PER ASTM-B-197.
 BODY FINISH: PLATED GOLD, .000050 MIN THK PER MIL-G-45204 OVER NICKEL, .000050 MIN THK PER QQ-N-290.
 HOOD MAT'L: STAINLESS STEEL PER ASTM-A-240.
 HOOD FINISH: PASSIVATED PER QQ-P-35
- FINISH: PLATED GOLD, .000050 MIN THK PER MIL-G-45204 OVER COPPER FLASH
- FINISH: PLATED GOLD, .000050 MIN THK PER MIL-G-45204 OVER COPPER, .000100 MIN THK PER MIL-C-14550.
- CONTACT
 BODY MAT'L: BERYLLIUM COPPER PER ASTM-B-197.
 BODY FINISH: PLATED GOLD, .000050 MIN THK PER MIL-G-45204 OVER COPPER, .000100 MIN THK PER MIL-C-14550.
 HOOD MAT'L: COPPER ALLOY PER QQ-B-613.
 FINISH: PLATED GOLD, .000050 MIN THK PER MIL-G-45204 OVER COPPER, .000100 MIN THK PER MIL-C-14550.



4 8	4 7	6	R10002677-0109	211013-6
4 8	4 7	6	2A091-004W-001	211013-5
4 8	4 7	9	-	211013-4
4 8	4 7	6	(1J02-109)	211013-2
4 5	2 3	6	-	211013-1
EYELET	SHELLS	CONTACT	CUSTOMER P/N	PART NO.

THIS DRAWING IS A CONTROLLED DOCUMENT. DWG: C.C. THOMAS 11-3-98
 CHK: J. NORTON 11-19-98
 APVD: J. NORTON 11-17-98

AMP Incorporated
 Harrisburg, PA 17105-3608

CONNECTION SAYER, AMPLIMITE
 62 POSN., SIZE 4, SERIES 90

DIMENSIONS:	TOLERANCES UNLESS OTHERWISE SPECIFIED:	SIZE	CAGE CODE	DRAWING NO	RESTRICTED TO
INCHES (mm)					
Ø	0 PLC ±.005	A1	00079	211013	-
	1 PLC ±.005				
	2 PLC ±.005				
	3 PLC ±.005 (0.13)				
	4 PLC ±.005				
	ANGLES ±.005				
MATERIAL	FINISH	WEIGHT			

CUSTOMER DRAWING SCALE 4:1 SHEET 1 OF 1 REV U