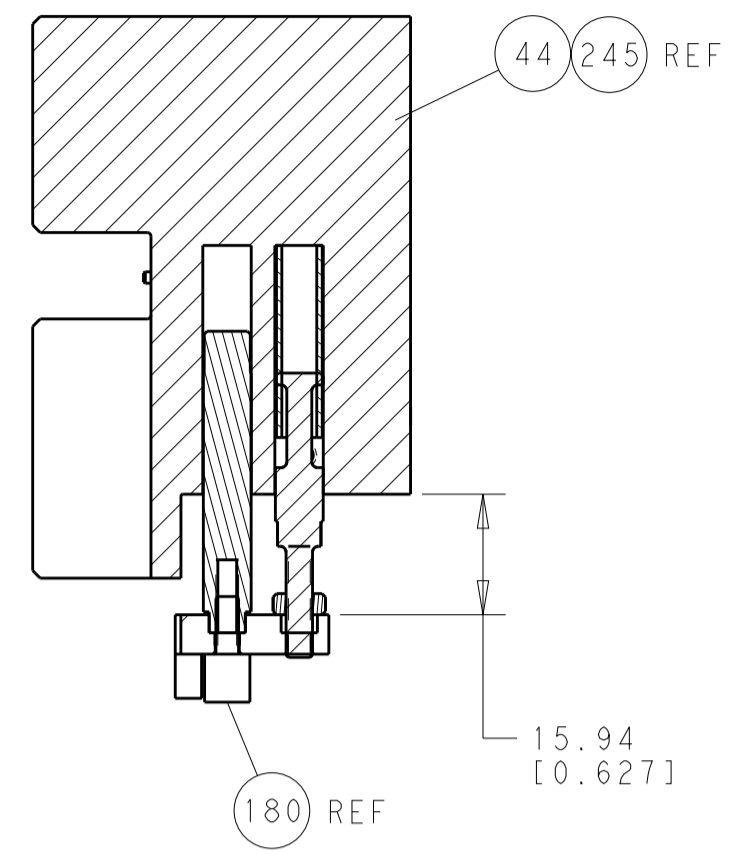


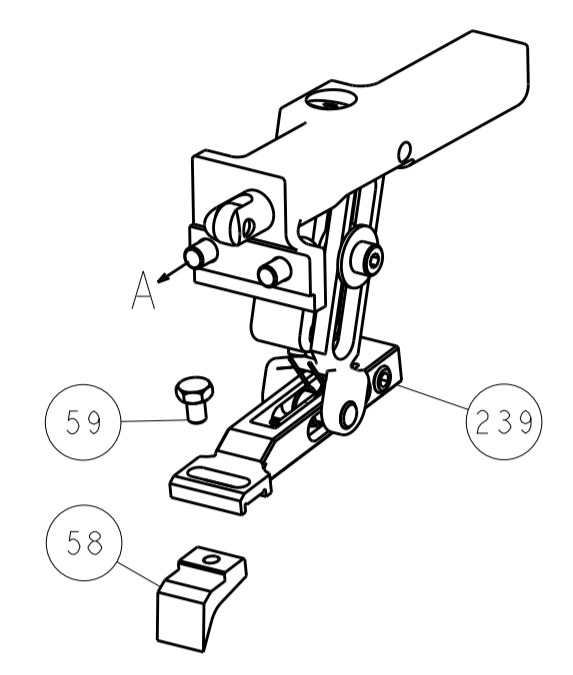


LOC		DIST		REVISIONS			
A	66	P	LTM	DESCRIPTION	DATE	OWN	APVD
		-		SEE SHEET 1			

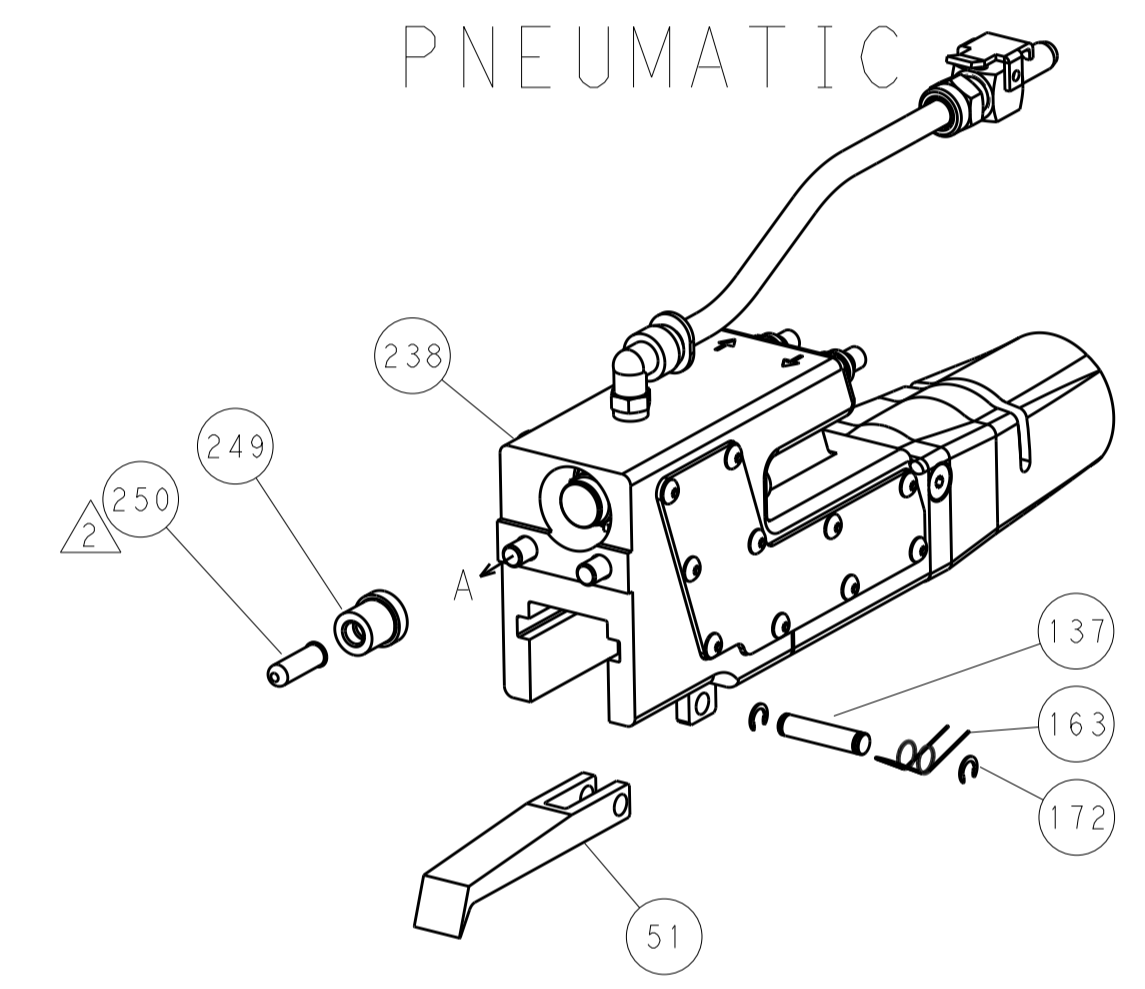


HOLDDOWN SET-UP

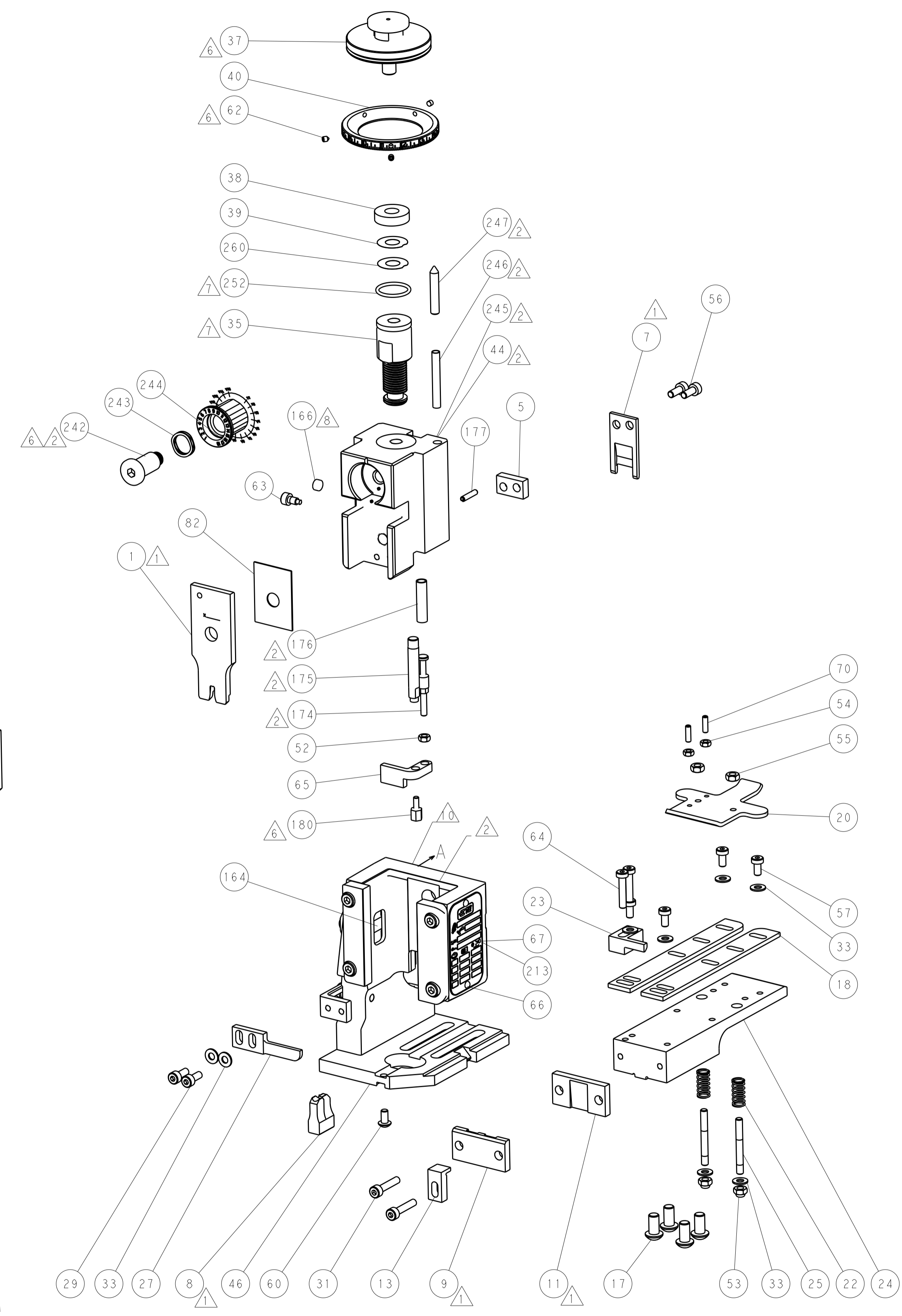
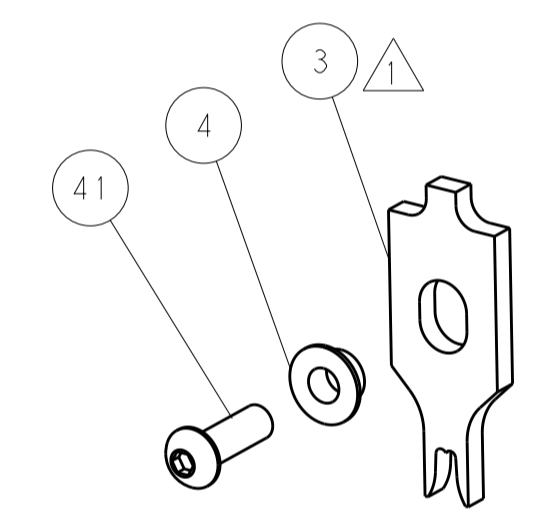
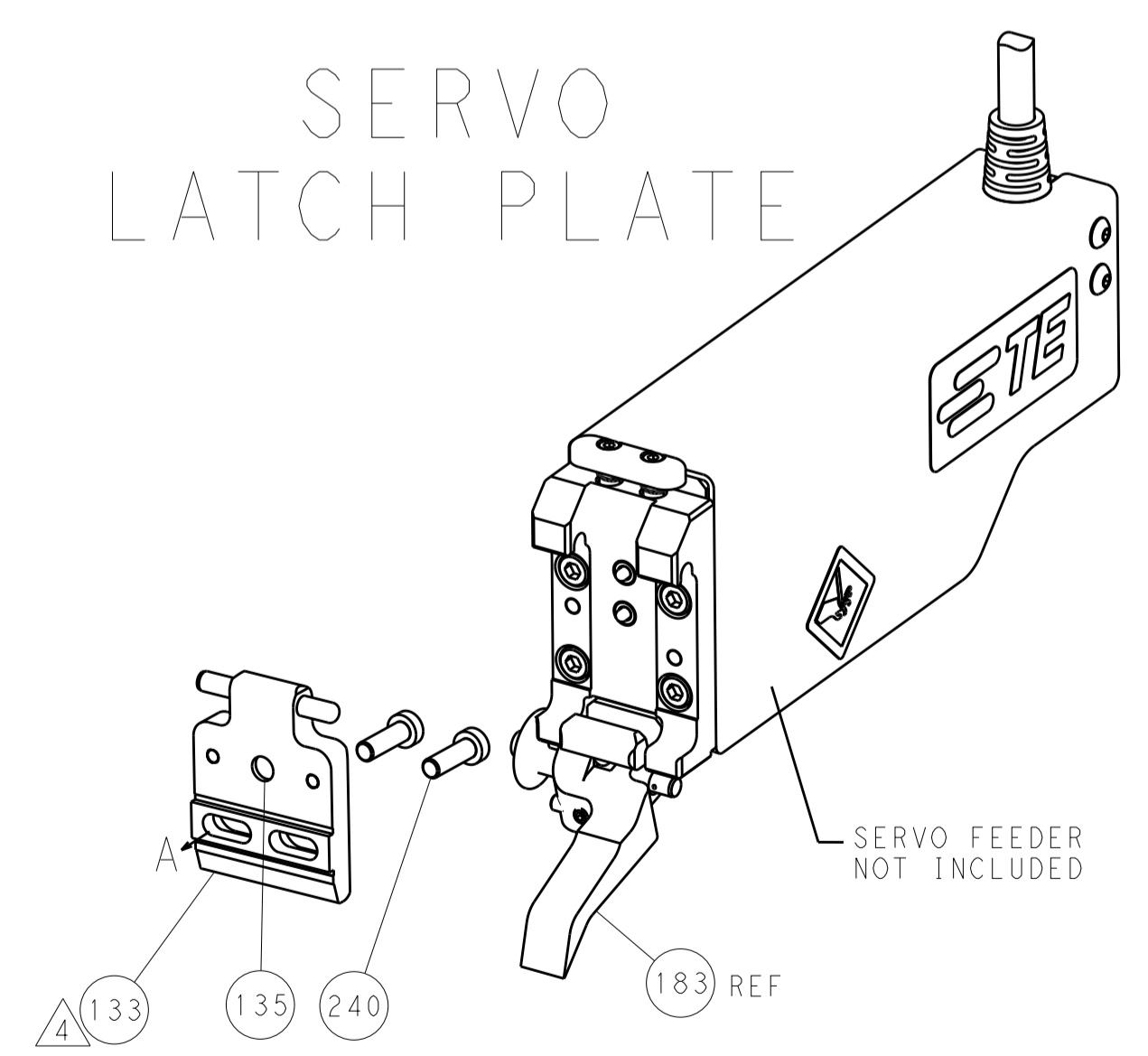
FEED TYPE  
MECHANICAL



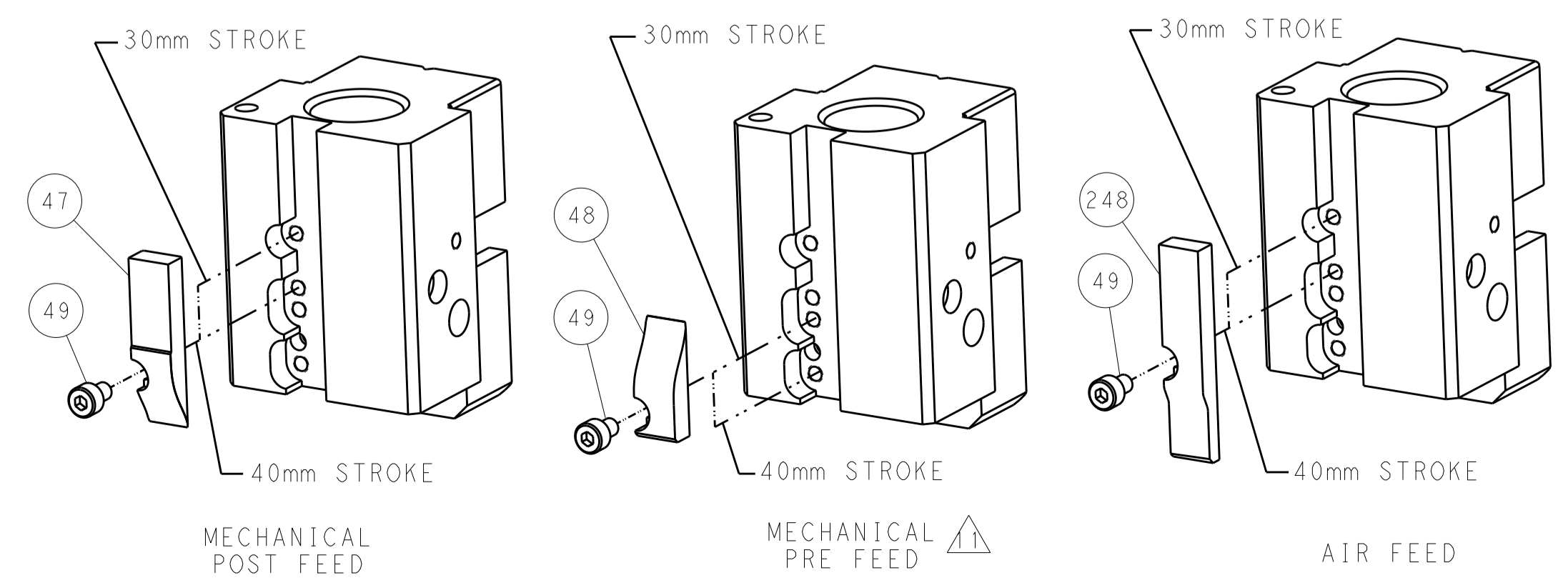
PNEUMATIC



SERVO  
LATCH PLATE



CAM POSITIONS



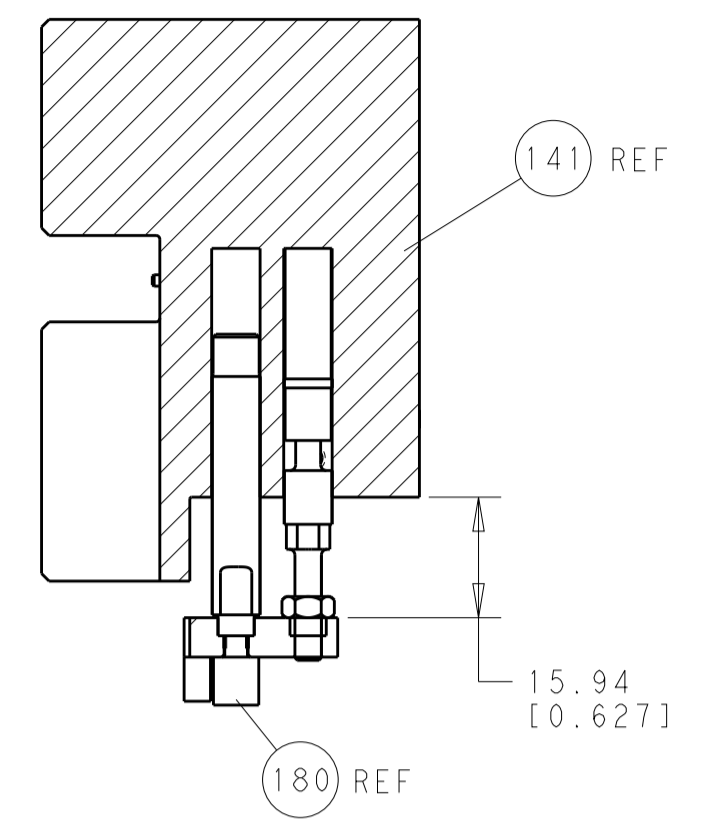
ATLANTIC VERSION  
 Shown on sheets 1 of 4 & 2 of 4  
 (Pacific version shown on sheets 3 of 4 & 4 of 4)

DIMENSIONS:		TOLERANCES UNLESS OTHERWISE SPECIFIED:		DWG: J.HOU 23OCT2014		TE Connectivity	
mm		0 PLC ±0.5		CHK: Y.YIN 23OCT2014		Harrisburg, PA 17105-3608	
Ø		1 PLC ±0.13		APP'D: H.GUO 23OCT2014		NAME: Ocean End Feed Applicator	
HOLE		2 PLC ±0.013		PRODUCT SPEC		SIZE: CAGE CODE DRAWING NO	
MATERIAL:		3 PLC ±0.001		APPLICATION SPEC		RESTRICTED TO	
FINISH:		4 PLC ±0.001		WEIGHT		A1 00779 ©=2150502	
		ANGLES ±0.001		Customer Accessible Production Drawing		SCALE: 1:1 SHEET 2 OF 4 REV A	

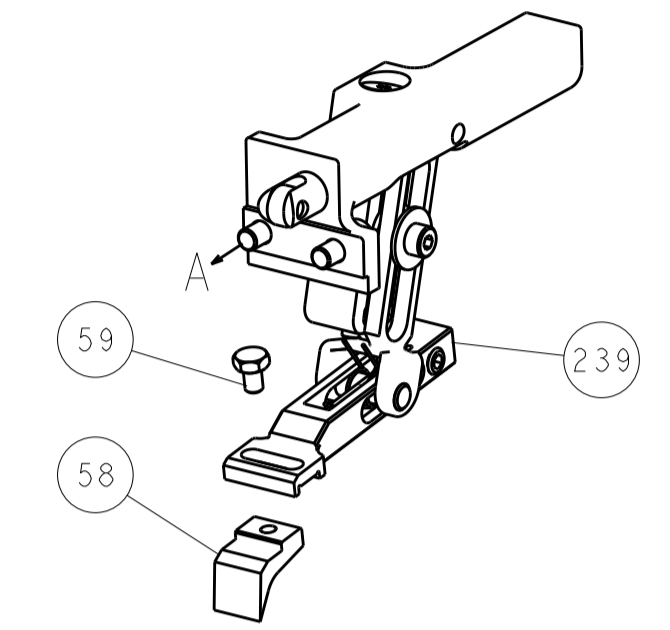


LOC		DIST		REVISIONS			
A	66	P	LTM	DESCRIPTION	DATE	DWN	APVD
				SEE SHEET 1			

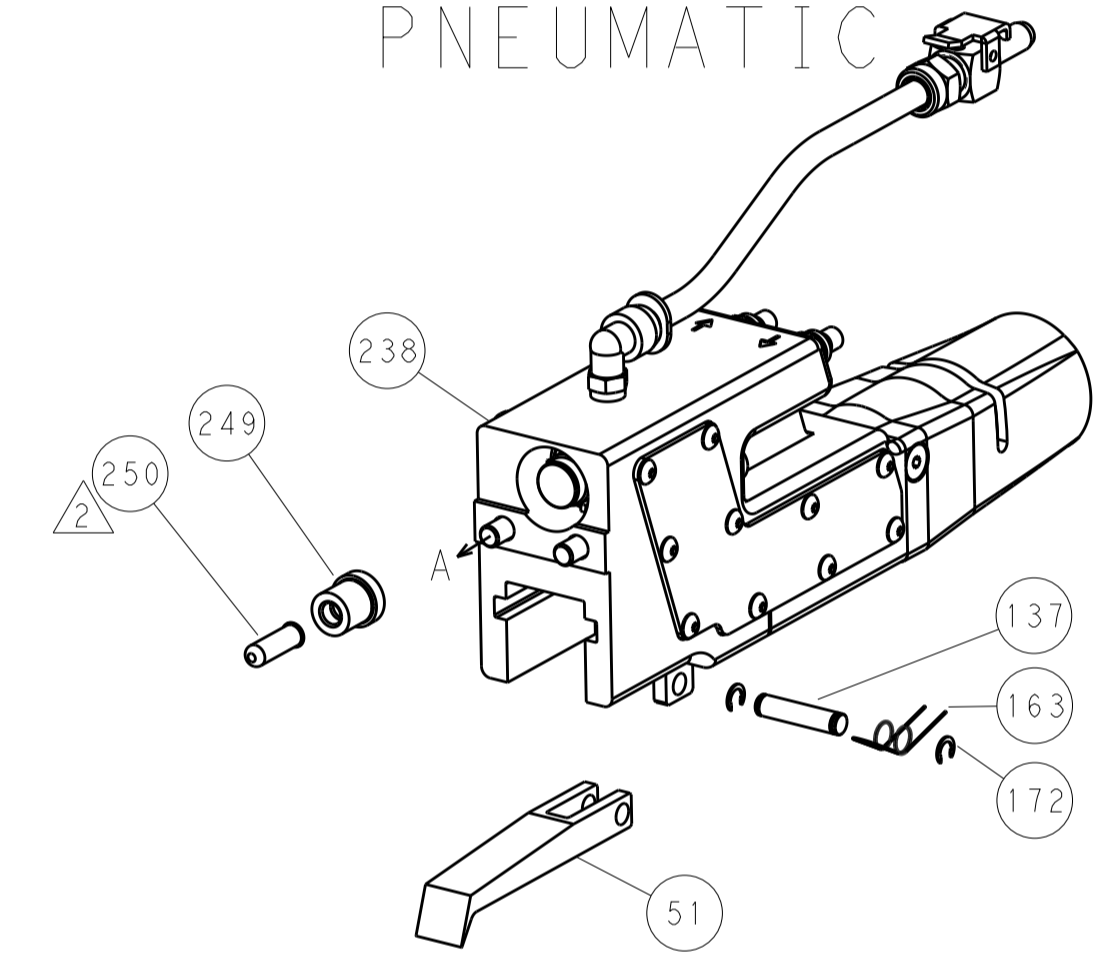
### HOLDDOWN SET-UP



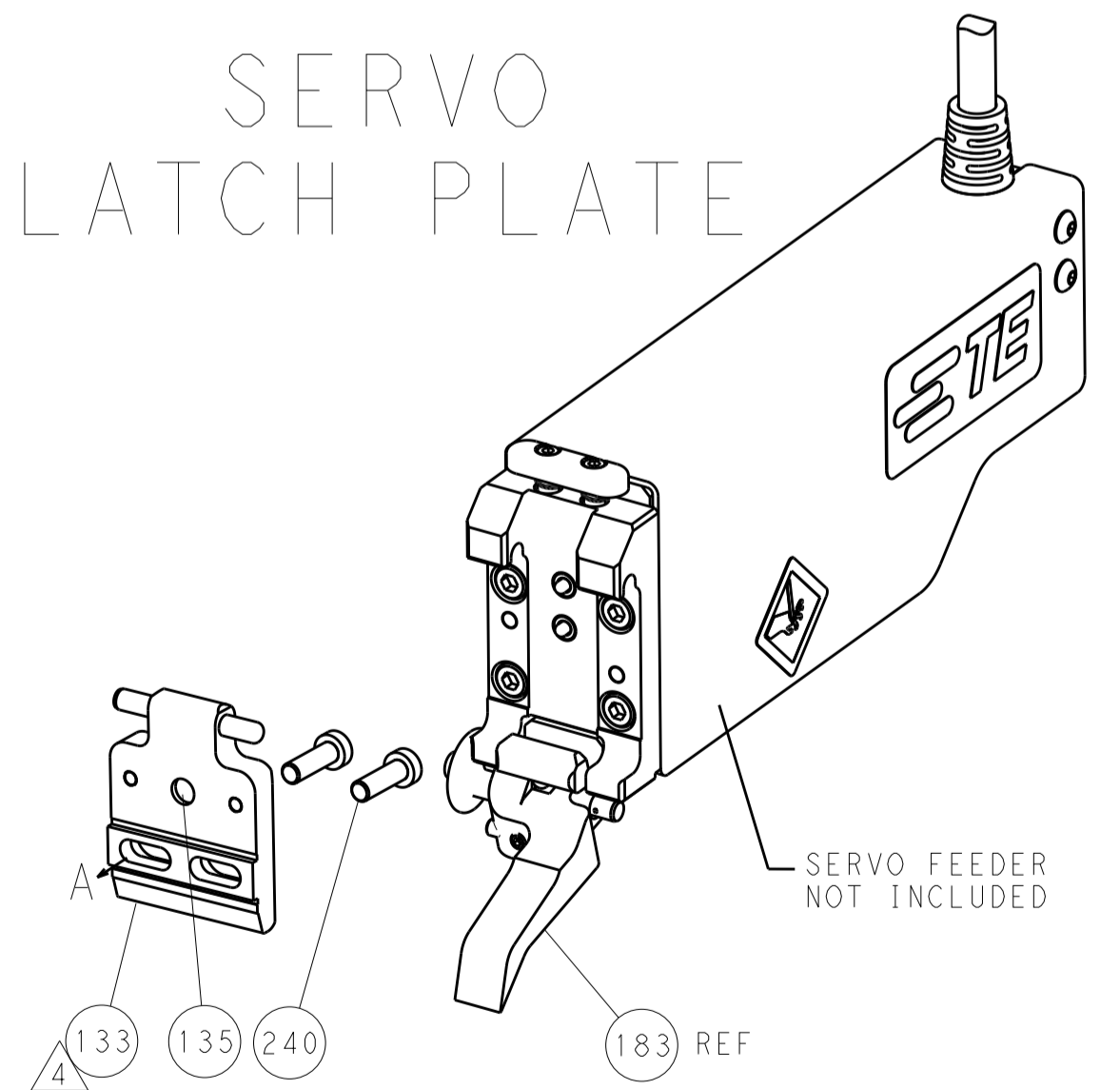
### FEED TYPE MECHANICAL



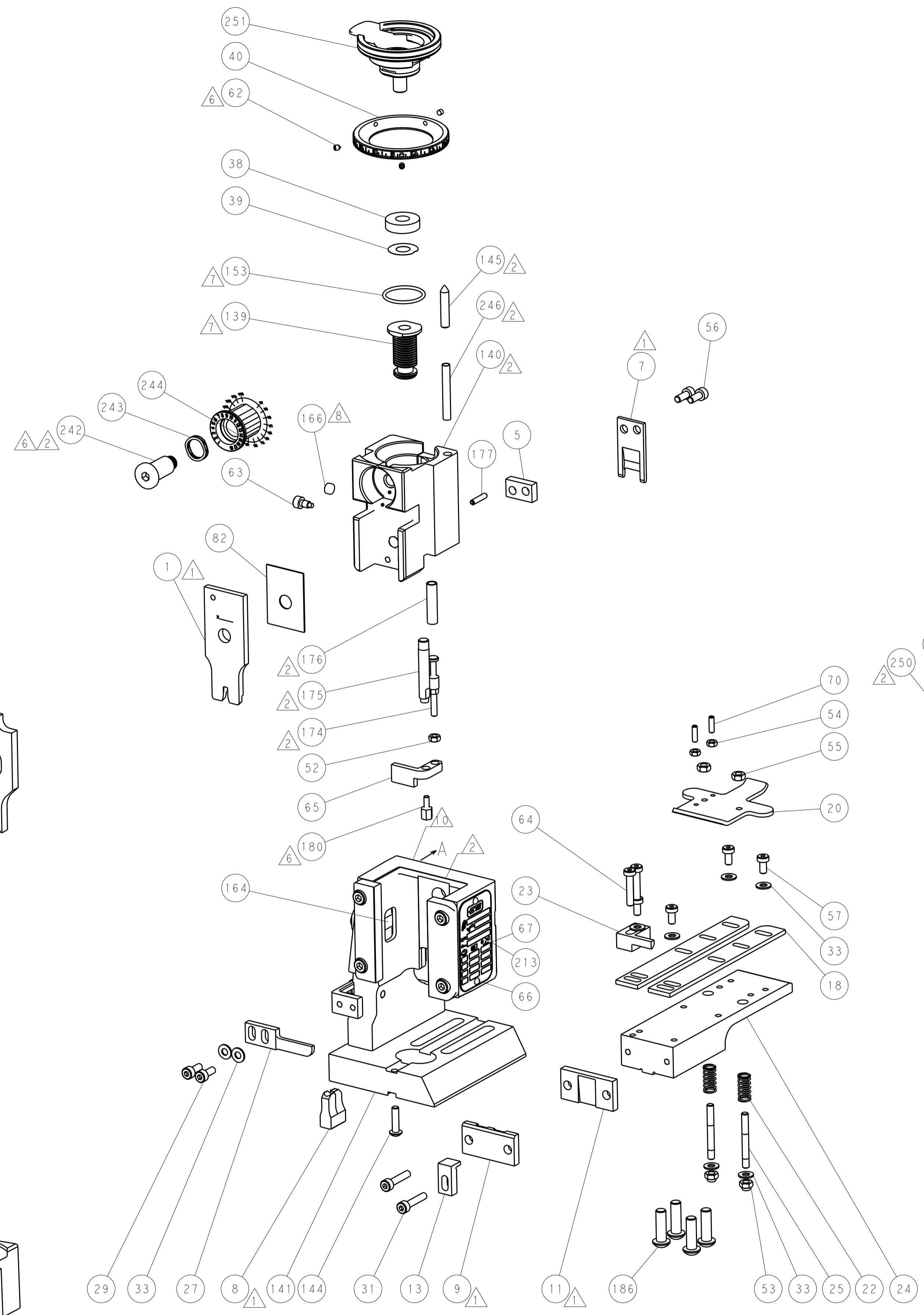
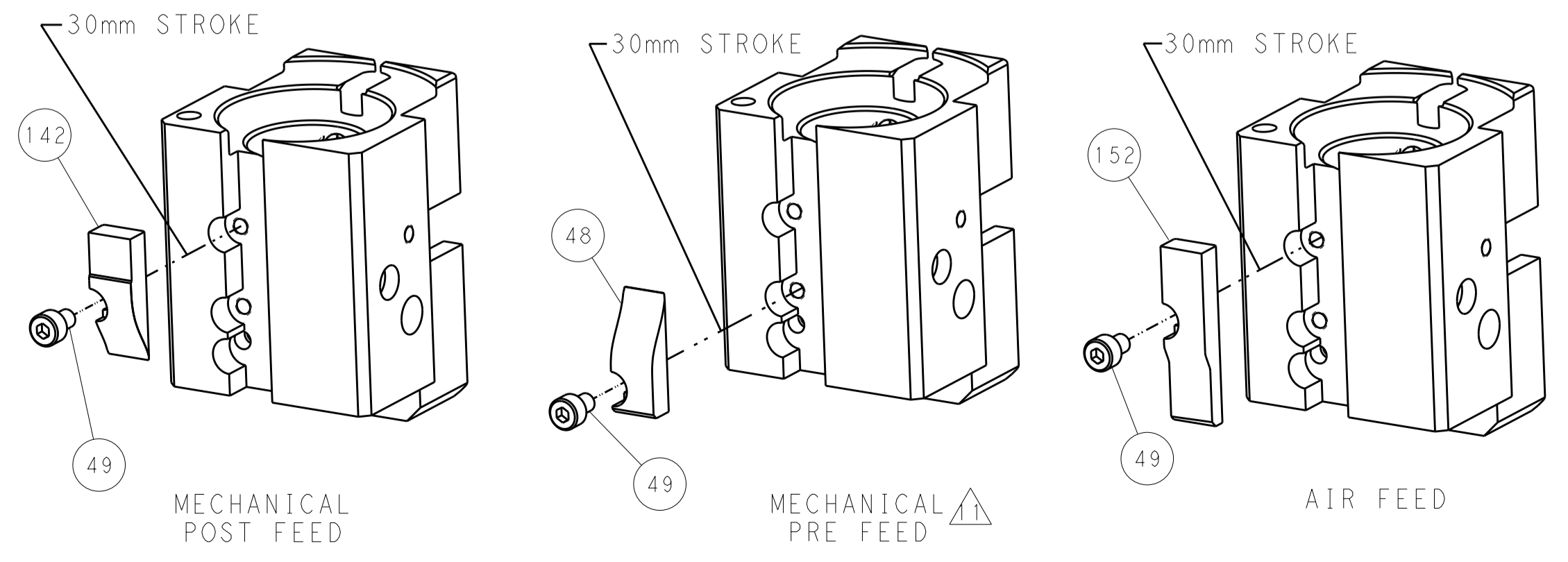
### PNEUMATIC



### SERVO LATCH PLATE



### CAM POSITIONS



**PACIFIC VERSION**  
 Shown on sheets 3 of 4 & 4 of 4  
 (Atlantic version shown on sheets 1 of 4 & 2 of 4)

DIMENSIONS:		TOLERANCES UNLESS OTHERWISE SPECIFIED:		DWN: J.HOU 23OCT2014		TE Connectivity	
mm	0 PLC ±0.5	1 PLC ±0.5	2 PLC ±0.13	3 PLC ±0.13	4 PLC ±0.013	5 PLC ±0.001	Harrisburg, PA 17105-3608
MATERIAL:		FINISH:		APVD: J.GUO 23OCT2014		NAME: Ocean End Feed Applicator	
				PRODUCT SPEC:		SIZE: CAGE CODE: DRAWING NO:	
				APPLICATION SPEC:		RESTRICTED TO:	
				WEIGHT:		A1 00779 C=2150502	
				Customer Accessible Production Drawing		SCALE: 1:1 SHEET 4 OF 4 REV A	