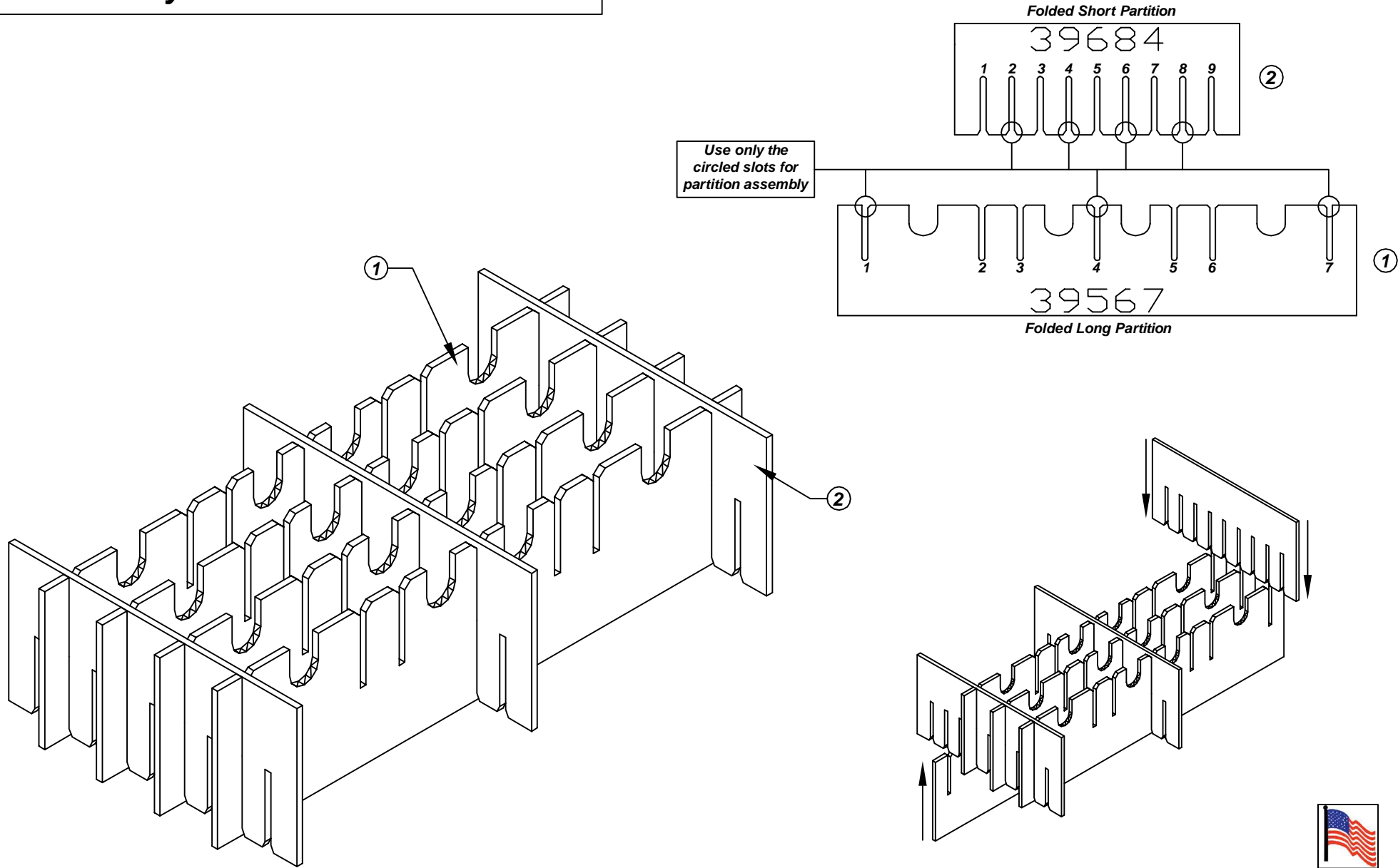


Assembly Instructions for - 37287



Made in America

| | | | | |
|----------|-----------------|----------------------------------|---|-----------|
| F/N ① | Part # 39567 | Dimensions: 12-1/8" x 22-3/4" | Description: 448/446 - LP Long Partition | Qty: 4 |
| F/N ② | Part # 39684 | Dimensions: 12-1/8" x 12-1/2" | Description: 446 - SP Short Partition | Qty: 3 |

37287 - 10 Cell Inplant Handler Cell Size - 6" x 10" x 2-1/4"

Notes:
For use with the following storage container & lid:
37516 - Storage Container
37552 - Lid

PROTEKTIVE PAK
13520 MONTE VISTA AVENUE, CHINO, CA 91710
PHONE (909) 627-2578, FAX (909) 363-7331
ProtektivePak.com



DRAWING NUMBER
IPH-37287

DATE
Dec.
2007