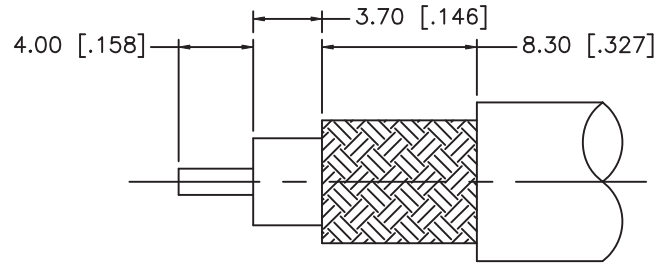
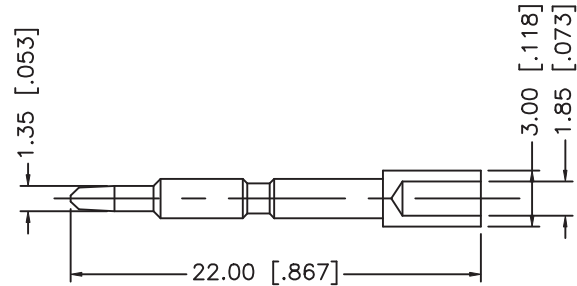
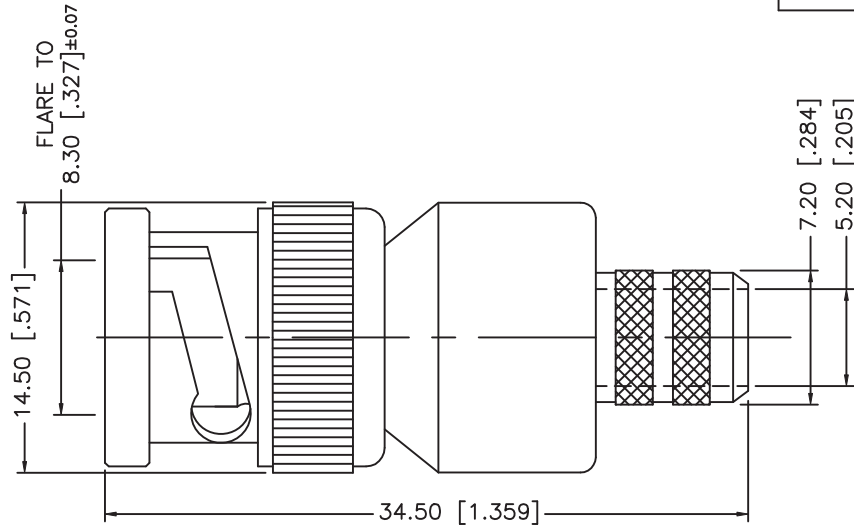
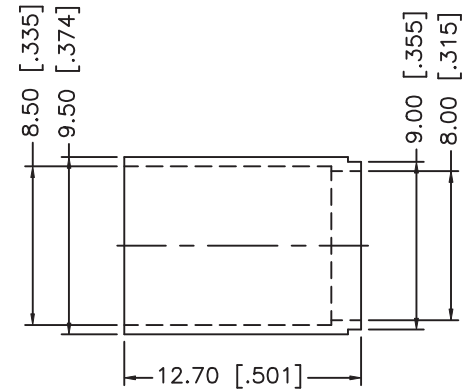


REV.	DATE	DESCRIPTION
NC	05/15/02	INITIAL RELEASE



RECOMMENDED CABLE STRIPPING DIMENSIONS



CRIMP NOTES:

1. CRIMPED FERRULE
HEX CRIMP SIZE .324"
2. CRIMPED CONTACT PIN
HEX CRIMP SIZE .100"

8				UNLESS OTHERWISE SPECIFIED DIMENSIONS ARE IN MILLIMETERS	APPROVALS	DATE	<h1 style="text-align: center;">Amphenol - Connex</h1> <p style="text-align: center;">CONNECTOR CORPORATION</p>						
7			DIMENSIONS IN [] ARE IN INCHES FOR CUSTOMER REFERENCE ONLY		DRAWN	G.R.S.				05/15/02	TITLE		
6					CHECKED								
5					ISSUED			SIZE	FSCM NO.	DWG. NO.	REV.		
4	FERRULE	BRASS	NICKEL	UNLESS OTHERWISE SPECIFIED TOLERANCES FOR INCHES ARE: .XXX = ± 0.005" .XX = ± 0.010" .X = ± 0.020"			A	99001	112700.DWG	NC			
3	CONTACT PIN	BER. COPPER	GOLD										
2	INSULATOR	TEFLON	NATURAL										
1	BODY	BRASS	NICKEL										
	DESCRIPTION	MATERIAL	FINISH	DO NOT SCALE DRAWING			SCALE	NA	PART NO.	112700	SHEET	1 OF 1	