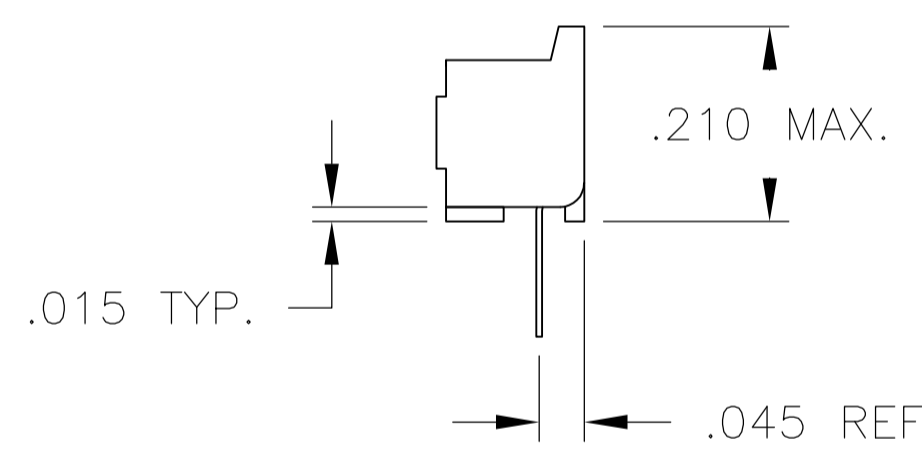
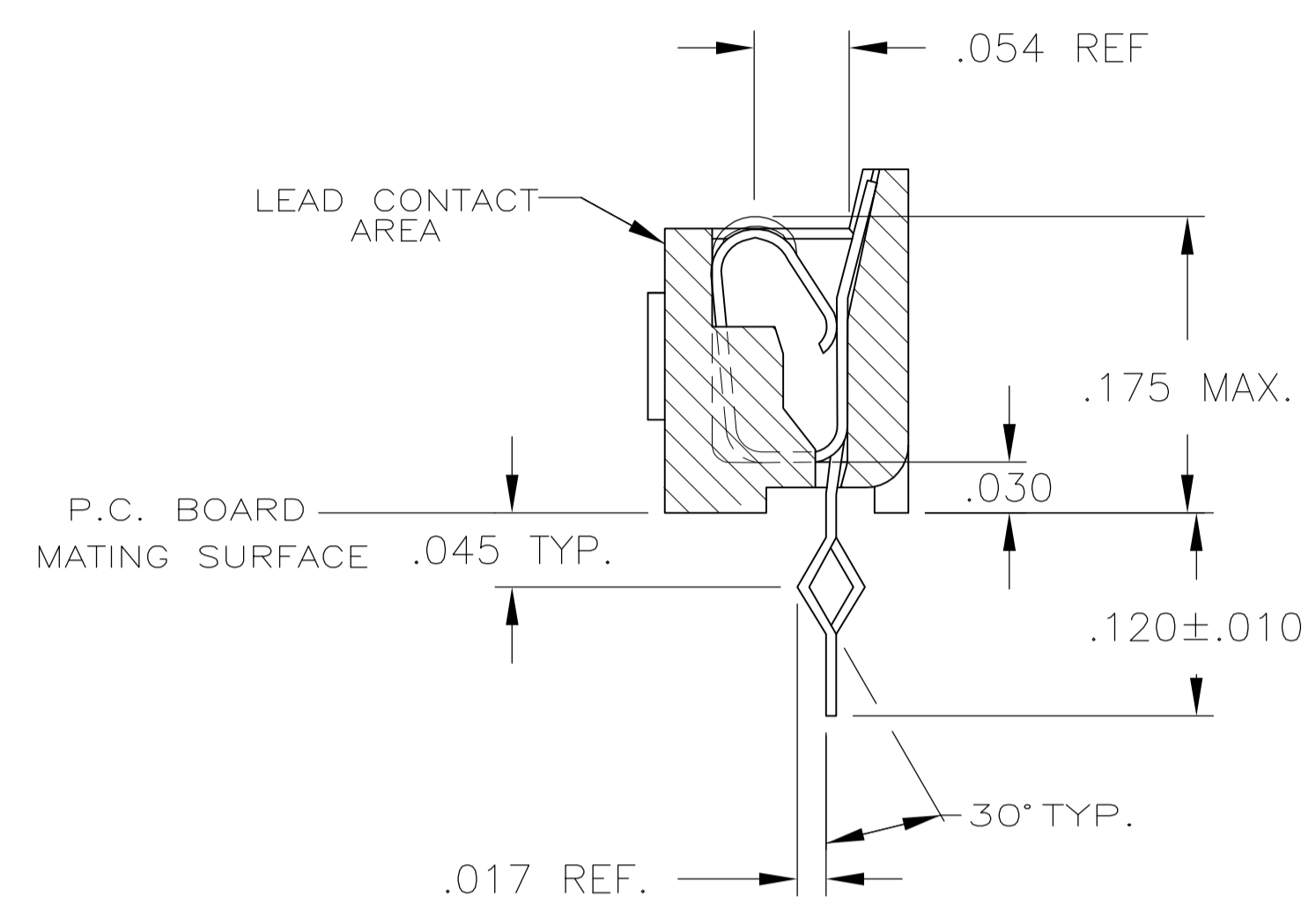
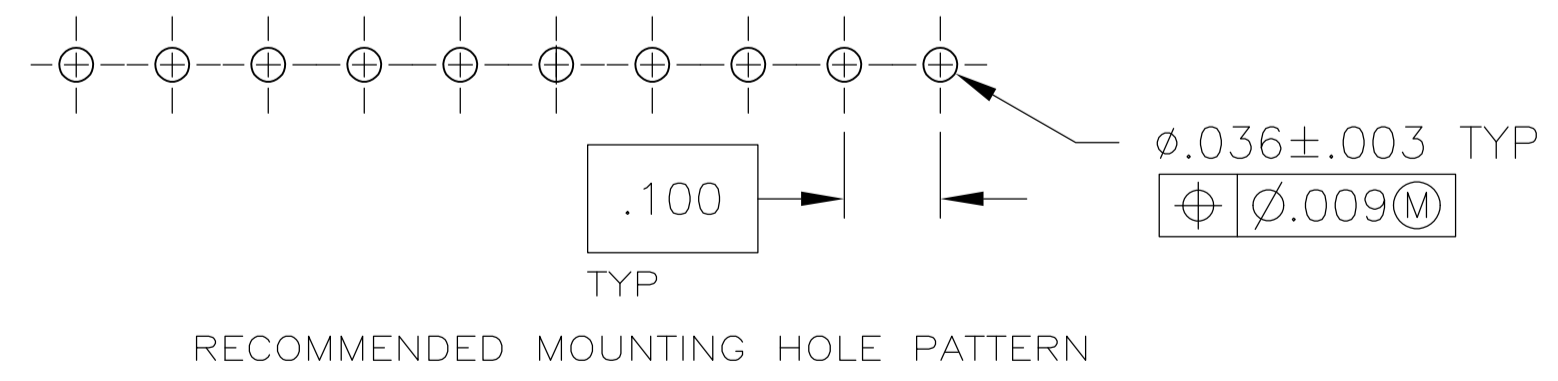
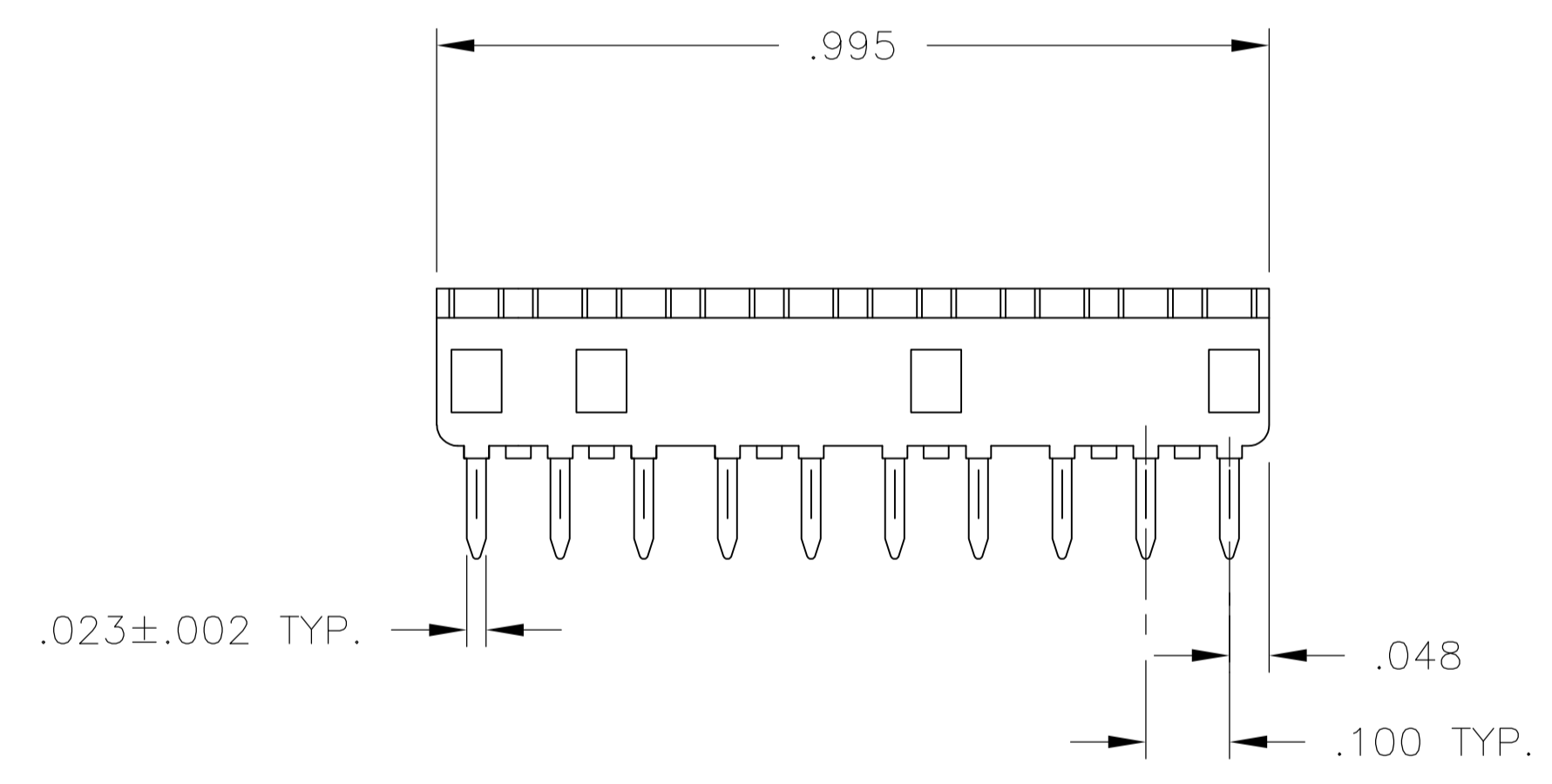
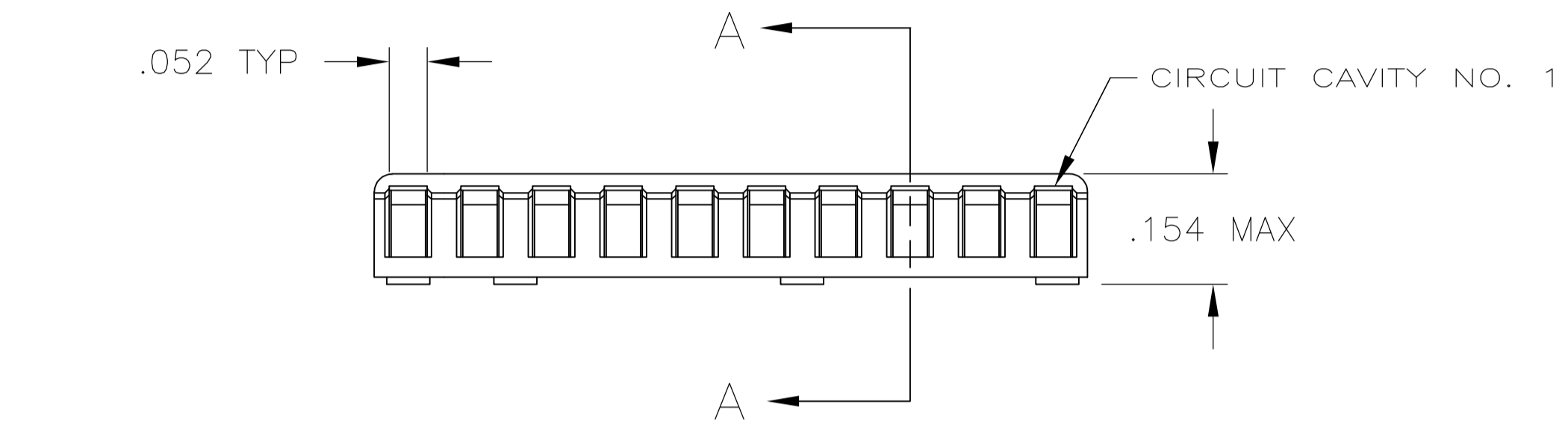
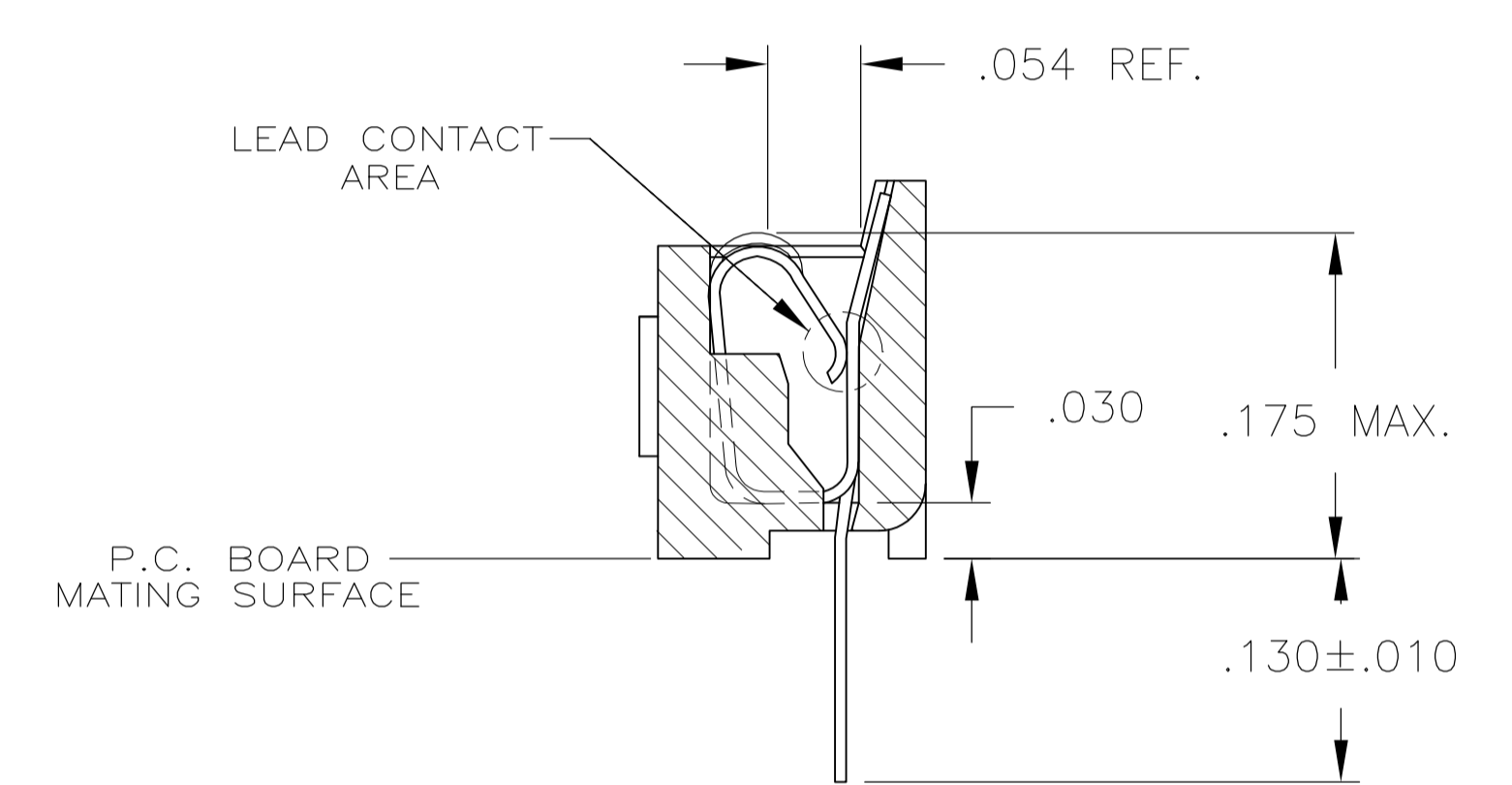


LOC	DIST	REVISIONS			
P	LTR	DESCRIPTION	DATE	DN	APVD
FT	64	K	REV PER 0G3C-0214-99	24AUG00	BH HW
		K1	REVISED PER ECO-10-000443	15JAN10	KK AEG



- RECEPTACLE ACCEPTS AN .008-.014 THK. I.C. LEAD.
- TWO .000030 MIN. THK. GOLD STRIPES IN CONTACT AREA, TIN-LEAD(93-7) ON CONTACT LEGS, BALANCE OF CONTACT NICKEL PLATED.
- TWO .000015 MIN. THK. GOLD STRIPES IN CONTACT AREA, TIN-LEAD(93-7) ON CONTACT LEGS, BALANCE OF CONTACT NICKEL PLATED.
- OBSOLETE PARTS: OBSOLETE CIS STREAMLINING PER D.RENAUD/D.SINISI



	CONTACT FINISH	CONTACT MAT'L	HOUSING MATERIAL	PART NO.
	TINNED	PHOS.BRZ.	GLASS-FILLED THERMOPLASTIC, 94V-0, BLACK	643642-8
	OBSOLETE	BE.CU.	GLASS-FILLED THERMOPLASTIC, 94V-0, BLACK	643642-7
	TINNED	BE.CU.	GLASS-FILLED THERMOPLASTIC, 94V-0, BLACK	643642-6
SUPSD BY 643642-2	OBSOLETE	PHOS.BRZ.	GLASS-FILLED THERMOPLASTIC, 94V-0, BLACK	643642-4
	TINNED	PHOS.BRZ.	GLASS-FILLED THERMOPLASTIC, 94V-0, BLACK	643642-3
OBSOLETE	OBSOLETE	BE.CU.	GLASS-FILLED THERMOPLASTIC, 94V-0, BLACK	643642-2
	TINNED	BE.CU.	GLASS-FILLED THERMOPLASTIC, 94V-0, BLACK	643642-1

THIS DRAWING IS A CONTROLLED DOCUMENT.

DIMENSIONS: INCHES	TOLERANCES UNLESS OTHERWISE SPECIFIED:	DIN 6-14-84	M. CYRUS
	0 PLC ± -	7-3-84	N. JONES
	1 PLC ± -	7-10-84	J. GRAY
	2 PLC ± -		
	3 PLC ± .005		
	4 PLC ± -		
	ANGLES ± -		
	SEE TABLE		

AMP Tyco Electronics Corporation
 Harrisburg, PA 17105

NAME: SOCKET ASSY, SIP, 10 POS, DIPLOMATE DL

PRODUCT SPEC: 108-1066

APPLICATION SPEC: 114-1049

SIZE: A1

WEIGHT: -

CUSTOMER DRAWING

SCALE: 5:1

SHEET: 1 OF 1

REV: K1