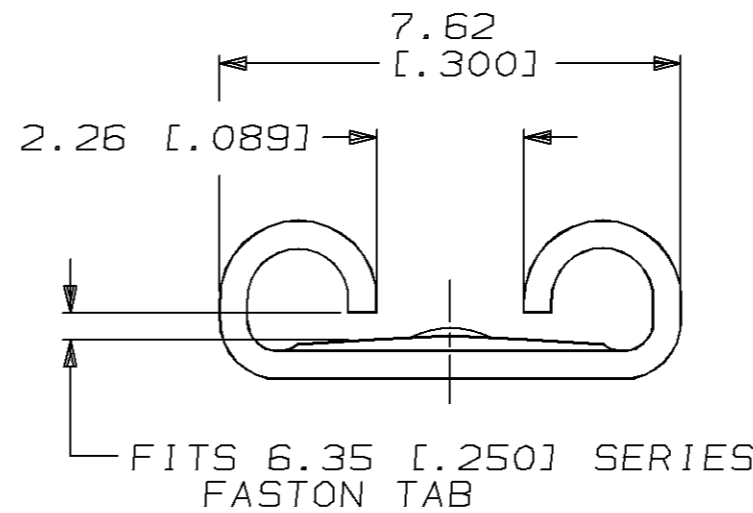
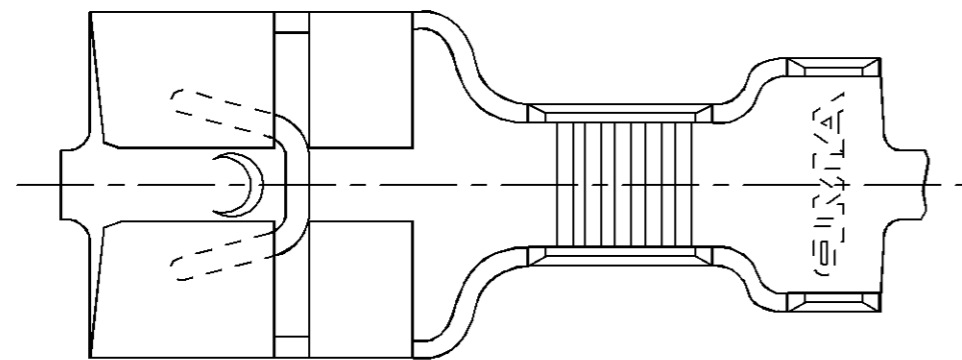


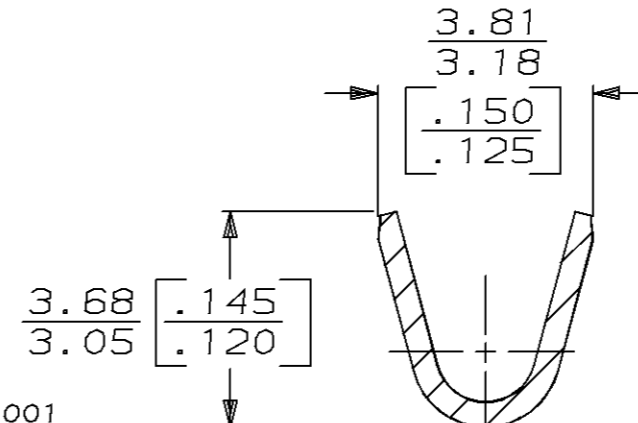
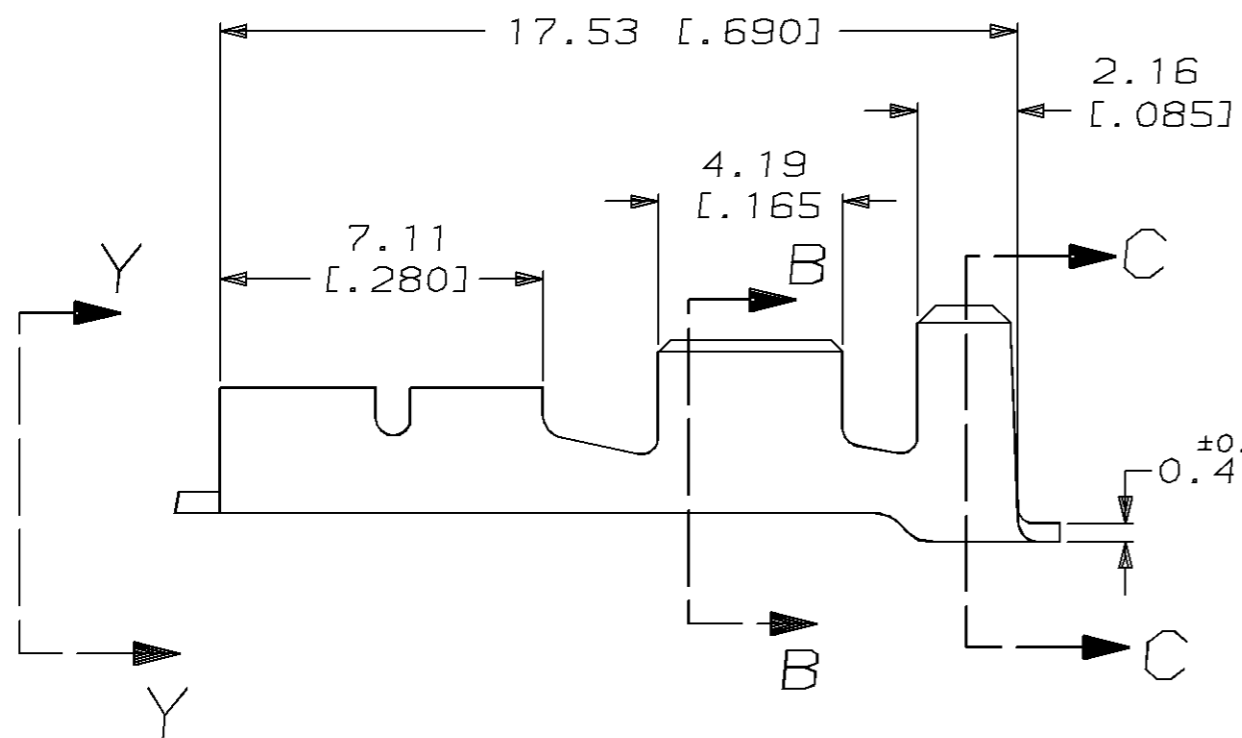
THIS DRAWING IS UNPUBLISHED. RELEASED FOR PUBLICATION, 19 .  
 © COPYRIGHT 19 BY AMP INCORPORATED. ALL INTERNATIONAL RIGHTS RESERVED.

LOC	DIST	P	F	ZONE	LTR	REVISIONS	DATE	APPD
AF	50				B	DESCRIPTION	8/23/94	JR/PD
						REV PER 0368-94		

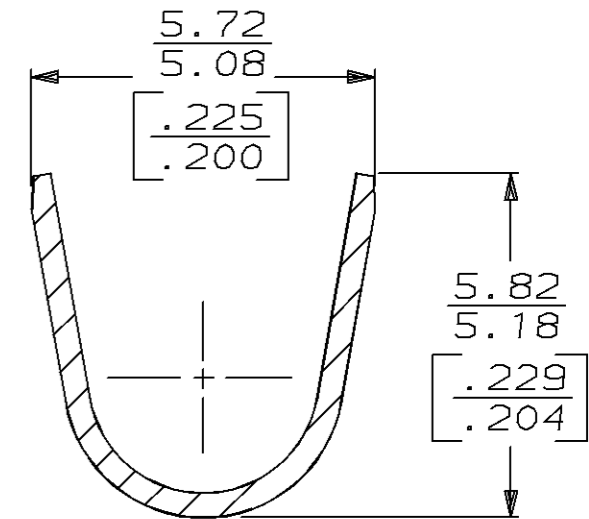


1 CONTINUOUS STRIP ON REELS

VIEW Y-Y  
SCALE 8:1



SECTION B-B  
SCALE 8:1



SECTION C-C  
SCALE 8:1

3.05-4.32 [.120-.170] DIA		0.8-2.0mm <sup>2</sup> (2) 0.6 [18-14 OR (2) #19]		0.51 [.020]		63622-1	
INSUL RANGE		WIRE SIZE		MATING TAB THK ±0.025 ±[.001]		PART NO	
F	4.57 [.180]	F	3.05 [.120]	<b>AMP</b> AMP INCORPORATED Harrisburg, Pa. 17105  NAME RECEPTACLE, FASTON, <sup>TM</sup> L.I.F., AMPLIVAR, 6.35 [.250] SERIES			
TYPE	WIDTH	TYPE	WIDTH				
INSUL BARREL CRIMP		WIRE BARREL CRIMP		<b>B</b>	00779	63622	
DO NOT SCALE PRINT. UNLESS SPECIFIED DIMENSIONS ARE IN MM [INCHES] TOLERANCES ON: 2 PLC DEC ± - 3 PLC DEC ± 0.25 [.010] ANGLES ± -		MATERIAL H04 BRASS		FINISH -		WEIGHT -	
DR 8/23/91 JR RUTH		CHK 8/23/91 MS FEHER		APPD 8/23/91 C MEYERS		APPD 8/23/91 R KUZO	
1.67 [.066] 2.0mm <sup>2</sup> [14]		1.47 [.058] 1.3mm <sup>2</sup> [16]		1.35 [.053] 0.8mm <sup>2</sup> [18]		1.47 [.058] (2) 19'S	
±0.051 ±[.002] HEIGHT		WIRE		APPLICATION SPEC -		SCALE 6:1	
						SHEET 1 OF 1	