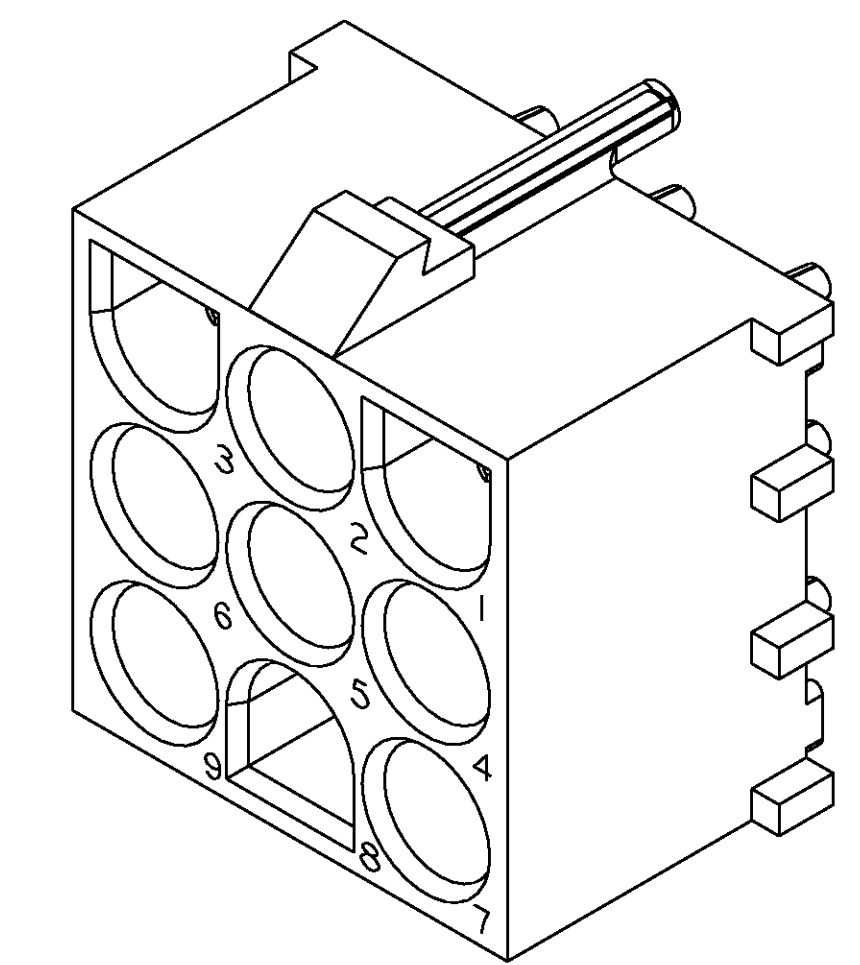
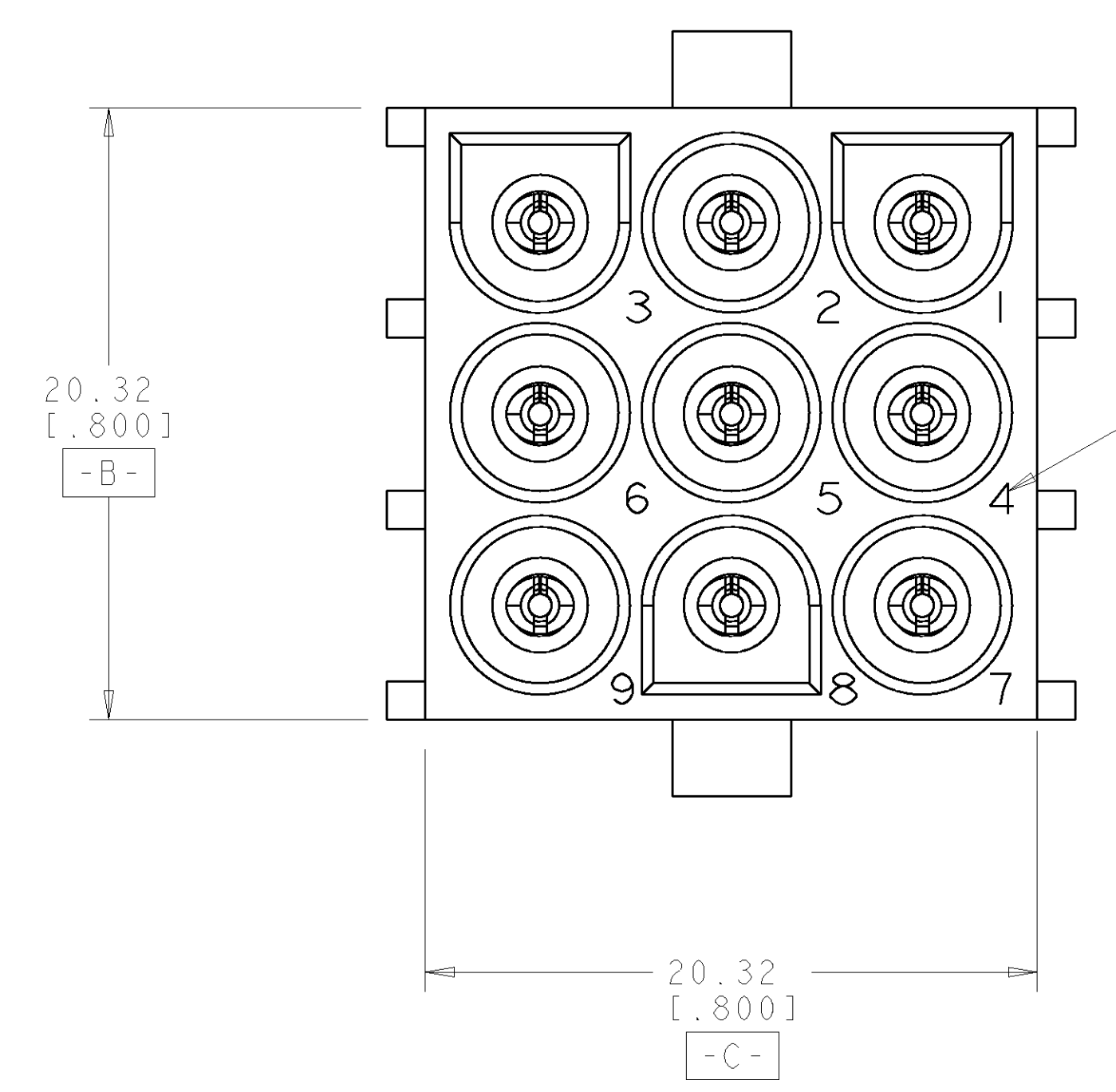
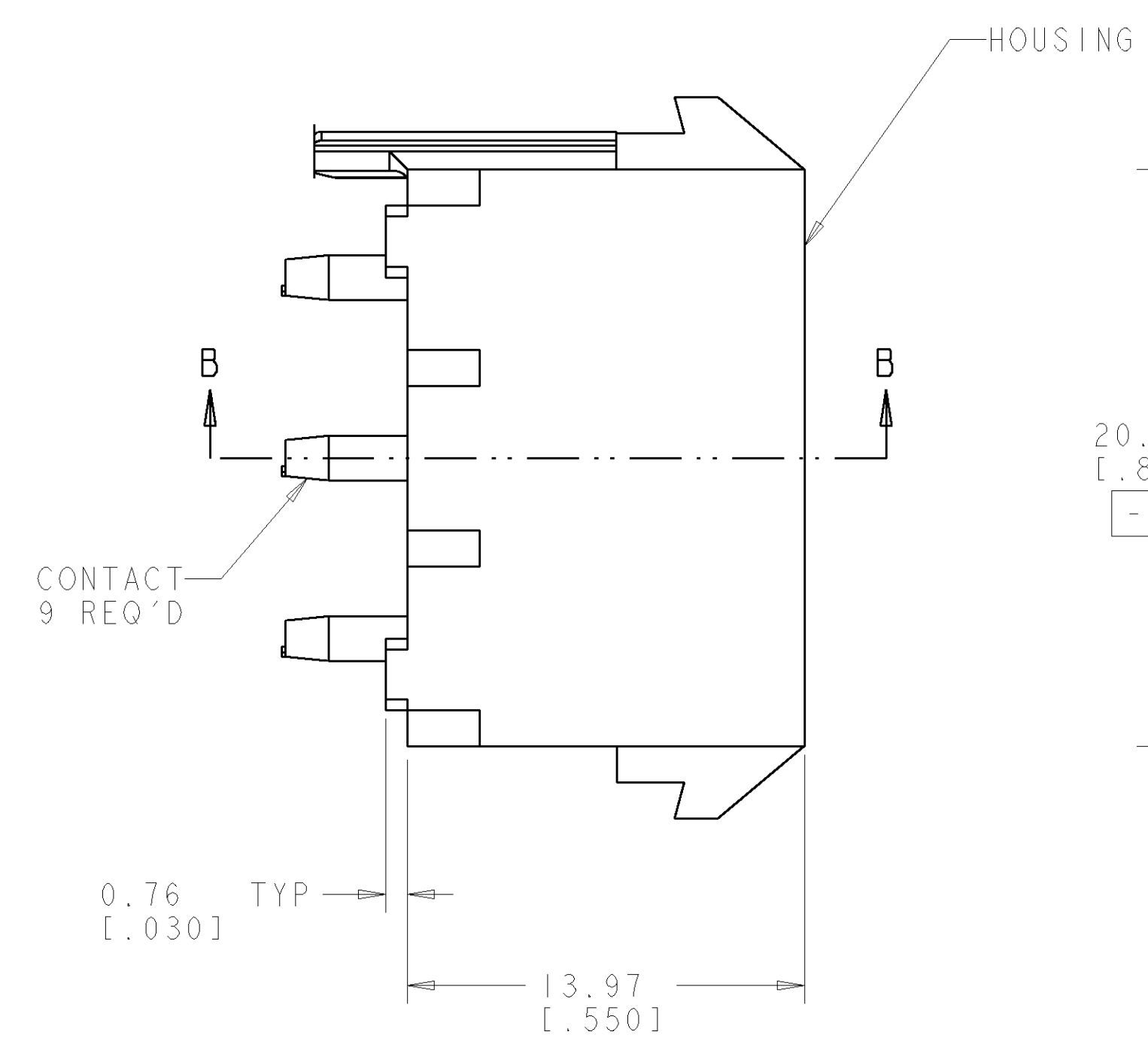
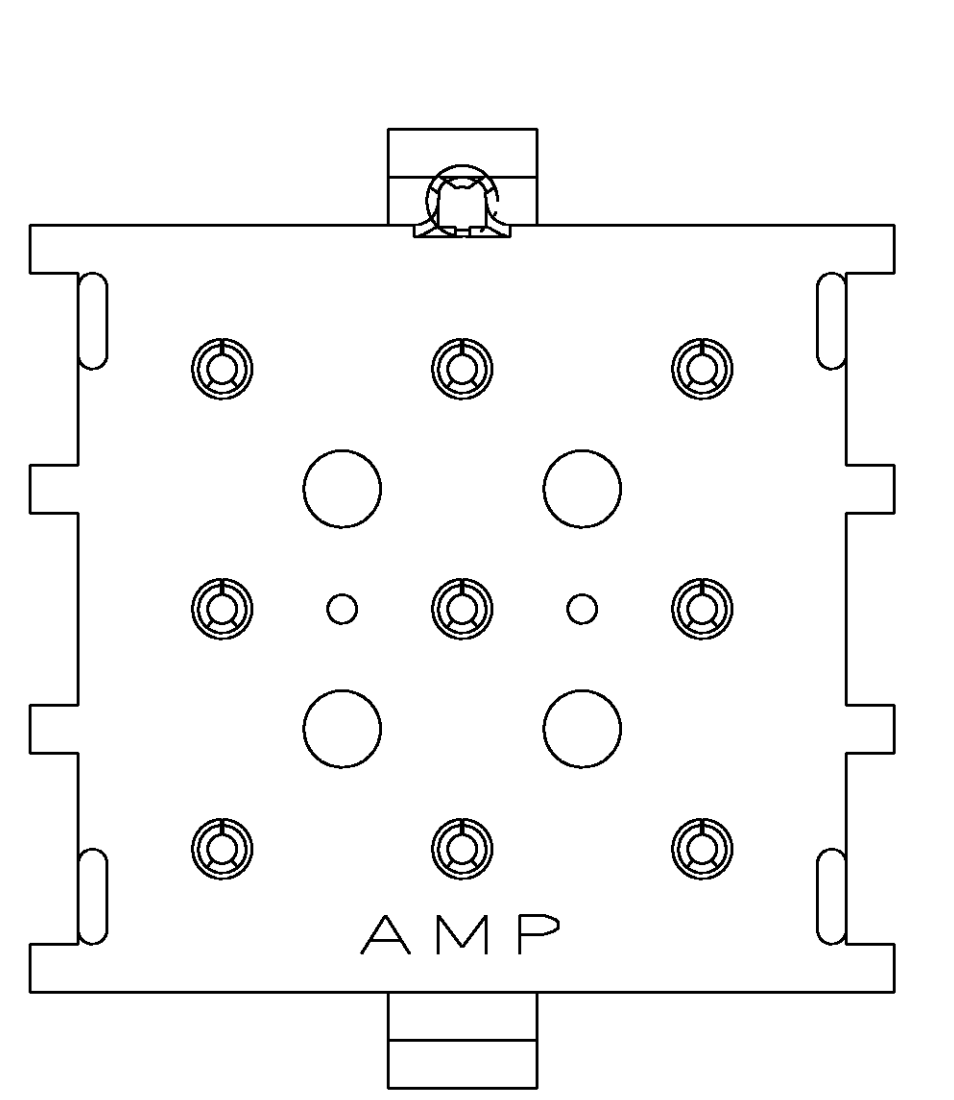
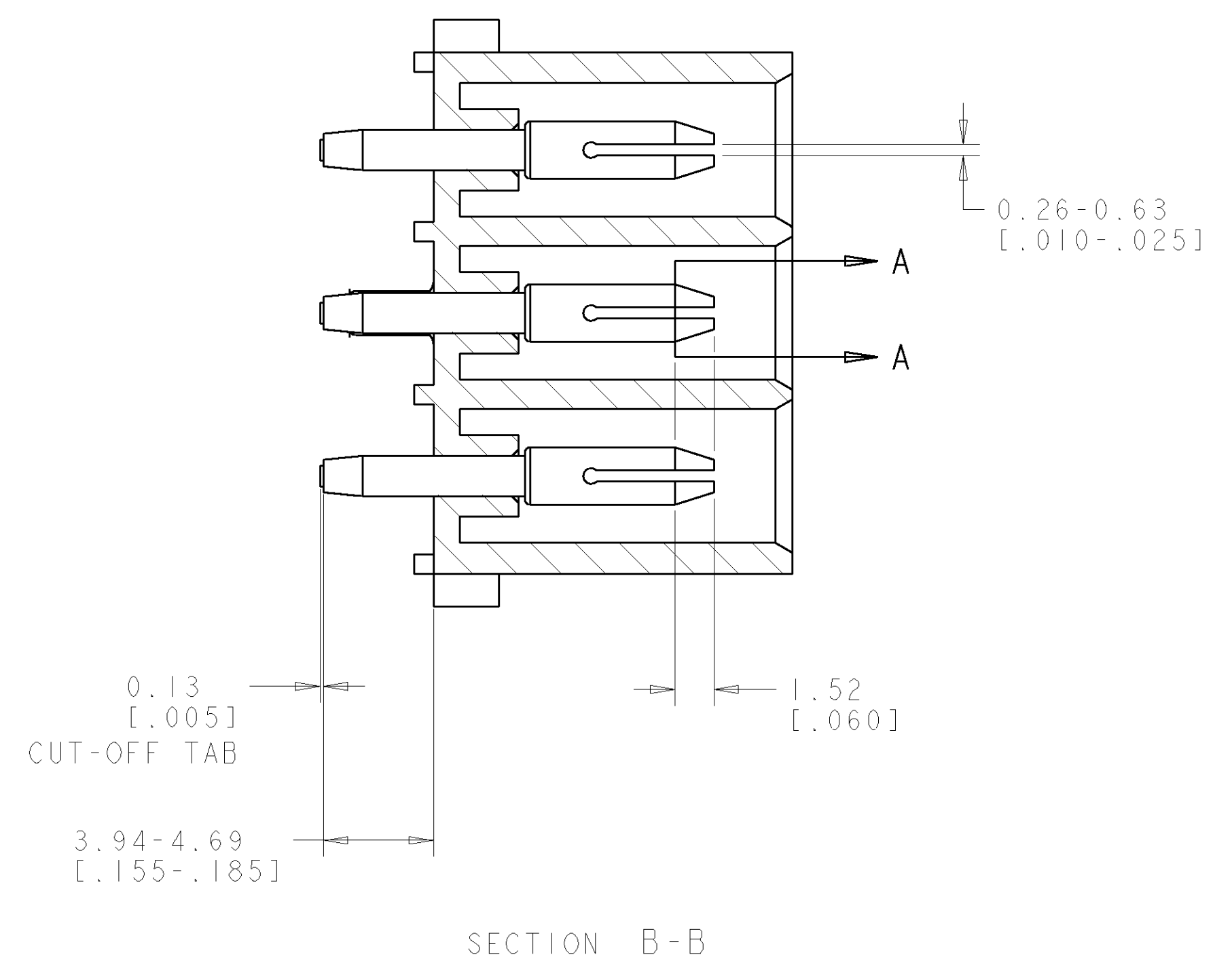
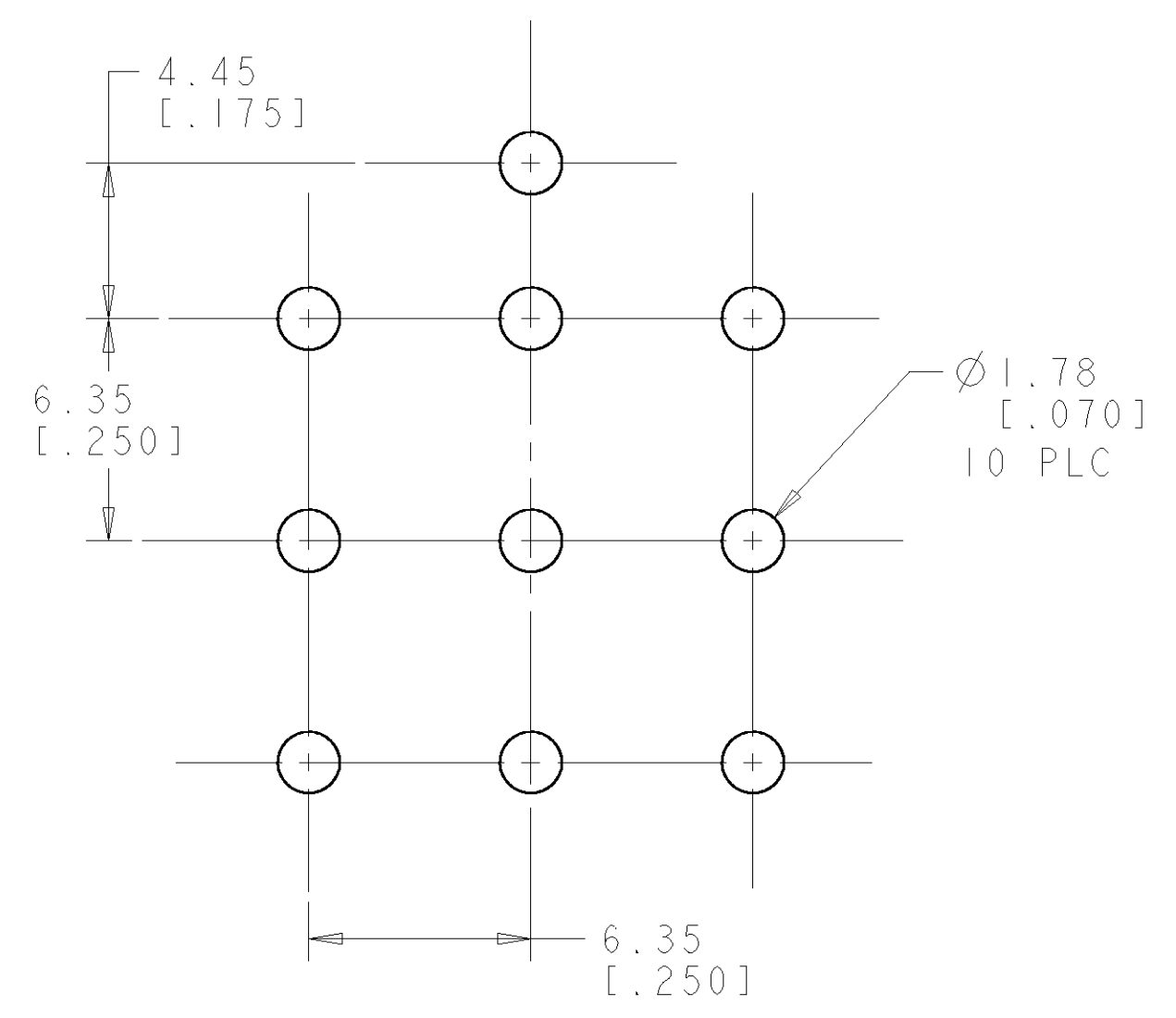


LOC	DIST	REVISIONS					
		P	LTR	DESCRIPTION	DATE	DWN	APVD
CM	00	0		RELEASED PER 0638-0007-03	29-JAN-03	KW	SR

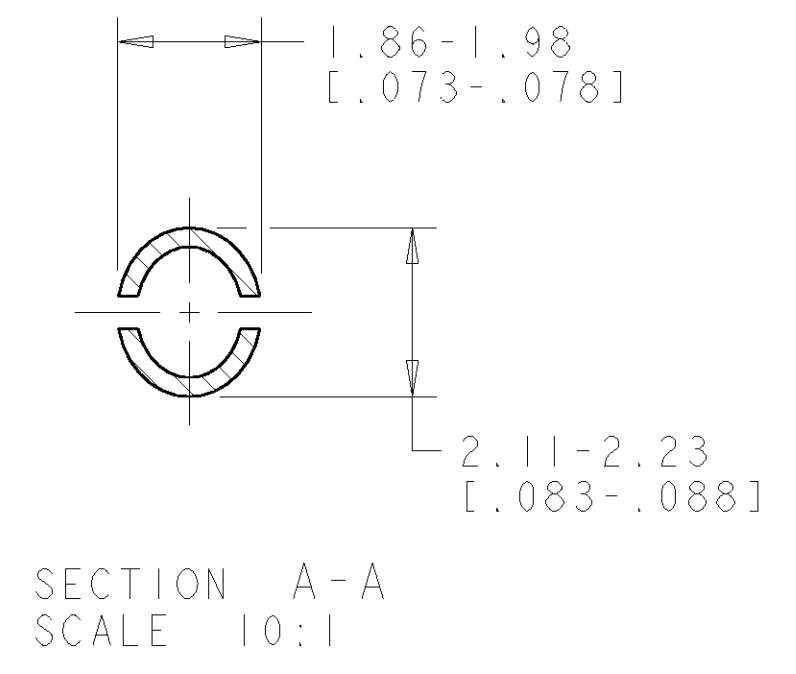
- PARTS COMPLY TO AMP SOLDERABILITY SPECIFICATION 109-11-3.
- CIRCUIT IDENTIFICATION CHARACTERS ARE ADJACENT TO THE INDICATED CAVITIES, BUT LOCATION AND ORIENTATION MAY DIFFER FROM PRINT.
- DIMENSIONS IN BRACKETS ARE IN INCHES.



3 DIMENSIONAL MODEL  
SCALE 4:1



SECTION B-B



SECTION A-A  
SCALE 10:1

PHOSPOR BRONZE, PRE-TIN PIN CONTACT MATERIAL AND FINISH		NYLON, UL94V-0, WHITE HOUSING MATERIAL AND COLOR		794880-1 PART NUMBER	
DIMENSIONS: mm [INCHES]		TOLERANCES UNLESS OTHERWISE SPECIFIED: 0 PLC ± 1 PLC ± 2 PLC ±0.13(.005) 3 PLC ± 4 PLC ± ANGLES ±30°		DWN R. WHITAKER 29NOV2000 ENR S. RIDGILL 29NOV2000 APVD S. RIDGILL 29NOV2000 NAME PRODUCT SPEC APPLICATION SPEC WEIGHT FINISH CUSTOMER DRAWING	Tyco Electronics Harrisburg, PA 17105-3608 Tyco Electronics PIN HEADER ASSEMBLY, POLARIZED, 9 CIRCUIT, UNIVERSAL MATE-N-LOK™ SIZE CAGE CODE DRAWING NO RESTRICTED TO A1 00779 C-794880 SCALE 5:1 SHEET 1 OF 1 REV 0

