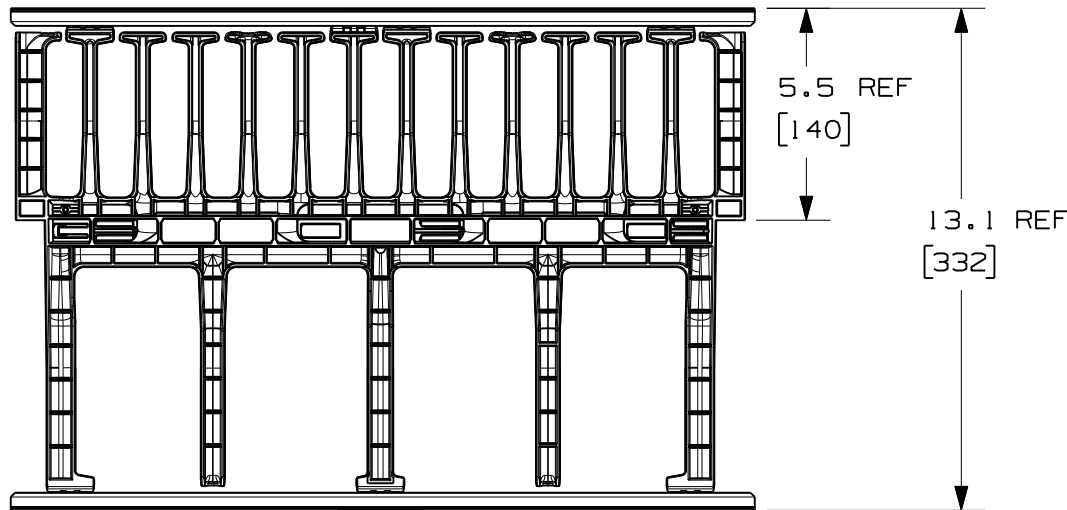
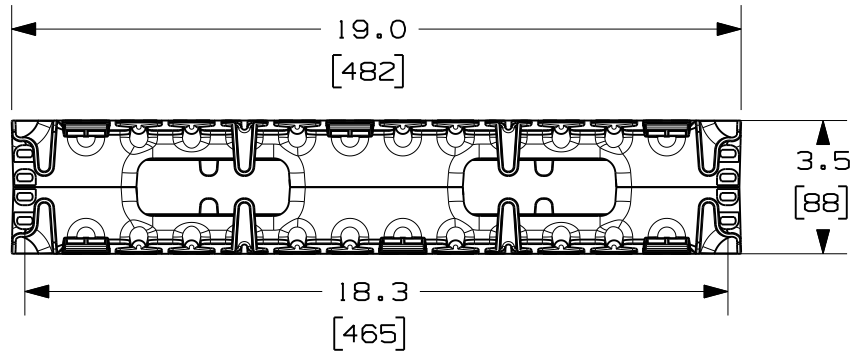


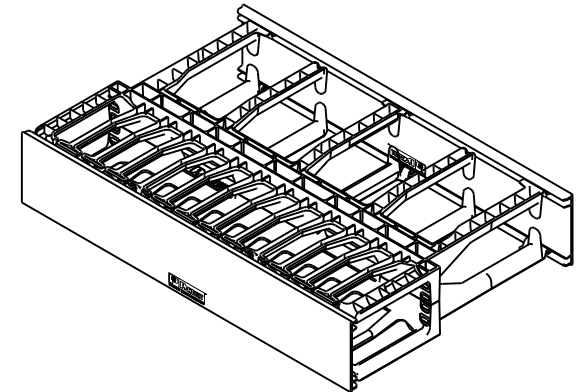
THIS COPY IS PROVIDED ON A RESTRICTED BASIS AND IS NOT TO BE USED IN ANY WAY DETRIMENTAL TO THE INTERESTS OF PANDUIT CORP.



PANDUIT P/N	WEIGHT
NM2	2.5 LBS/EACH 1134g/EACH

NOTES:

- VISIT OUR ON-LINE CATALOG AT WWW.PANDUIT.COM FOR A CURRENT LIST OF PRODUCTS APPLICABLE FOR USE WITH THIS PART.
- COMPONENTS:
1- 2RU MANAGER (FRONT AND REAR)
2- 2RU 19" COVERS
- DIMENSIONS IN PARENTHESIS ARE METRIC.



MODEL FILENAME V10404AA_NM2_ASSY_05.PRT

CAD FILENAME/LAYERS V10404AA_DC_05A.PRT

PANDUIT CORP. TINLEY PARK, ILLINOIS

NM2 CABLE MANAGER
CUSTOMER DRAWING

UNLESS OTHERWISE SPECIFIED, DIMENSIONAL TOLERANCES ARE:
 INCHES X.X +/- 0.03 X.XX +/- 0.015 X.XXX +/- 0.005
 [METRIC - MILLIMETER] X.X +/- 0.8 X.XX +/- 0.4 X.XX +/- 0.13
 ANGLE +/- 1°

UNLESS OTHERWISE SPECIFIED,
ALL DIMENSIONS ARE GIVEN
IN INCHES, THIRD ANGLE PROJECTION.

REV	DATE	BY	CHK	DESCRIPTION	ECN	R	CUST	SUP	OTH
2	04-30-07	BAME		FEATURE ADDED	10404-20				
1	4-11-07	BAME	DPN	ADDED 1 DIM	10404-20		CMK		
00	03-06-07	BAME	TCK	RELEASED TO PRODUCTION	10404-20		CMK		

DRAWN BY BAME
DATE 03-06-07
CHK'D TCK

MAT'L:
MANAGER: ABS
2RU COVERS: PVC

SCALE NONE
DRAWING NO. 10404-20
DWG SIZE A