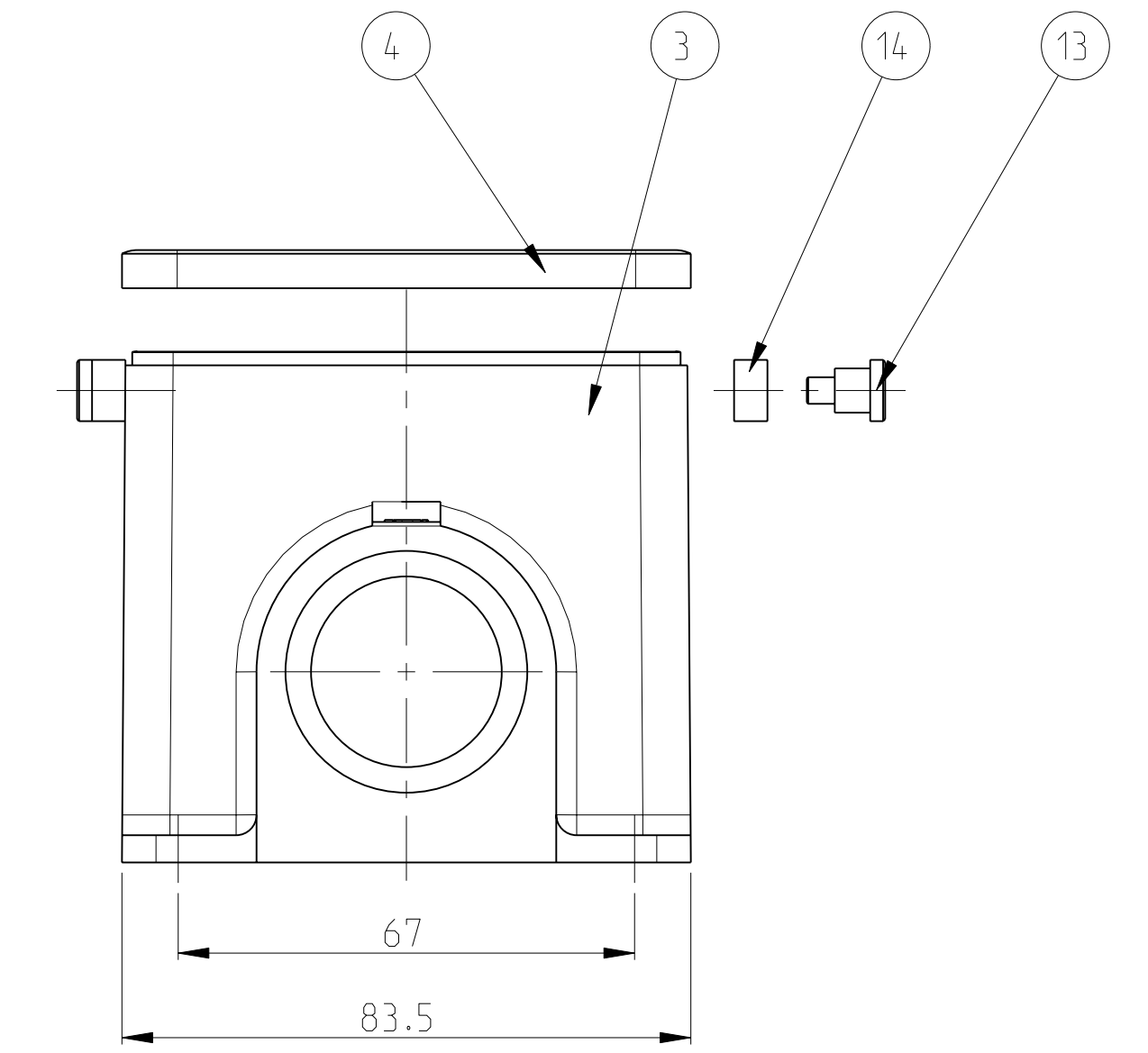
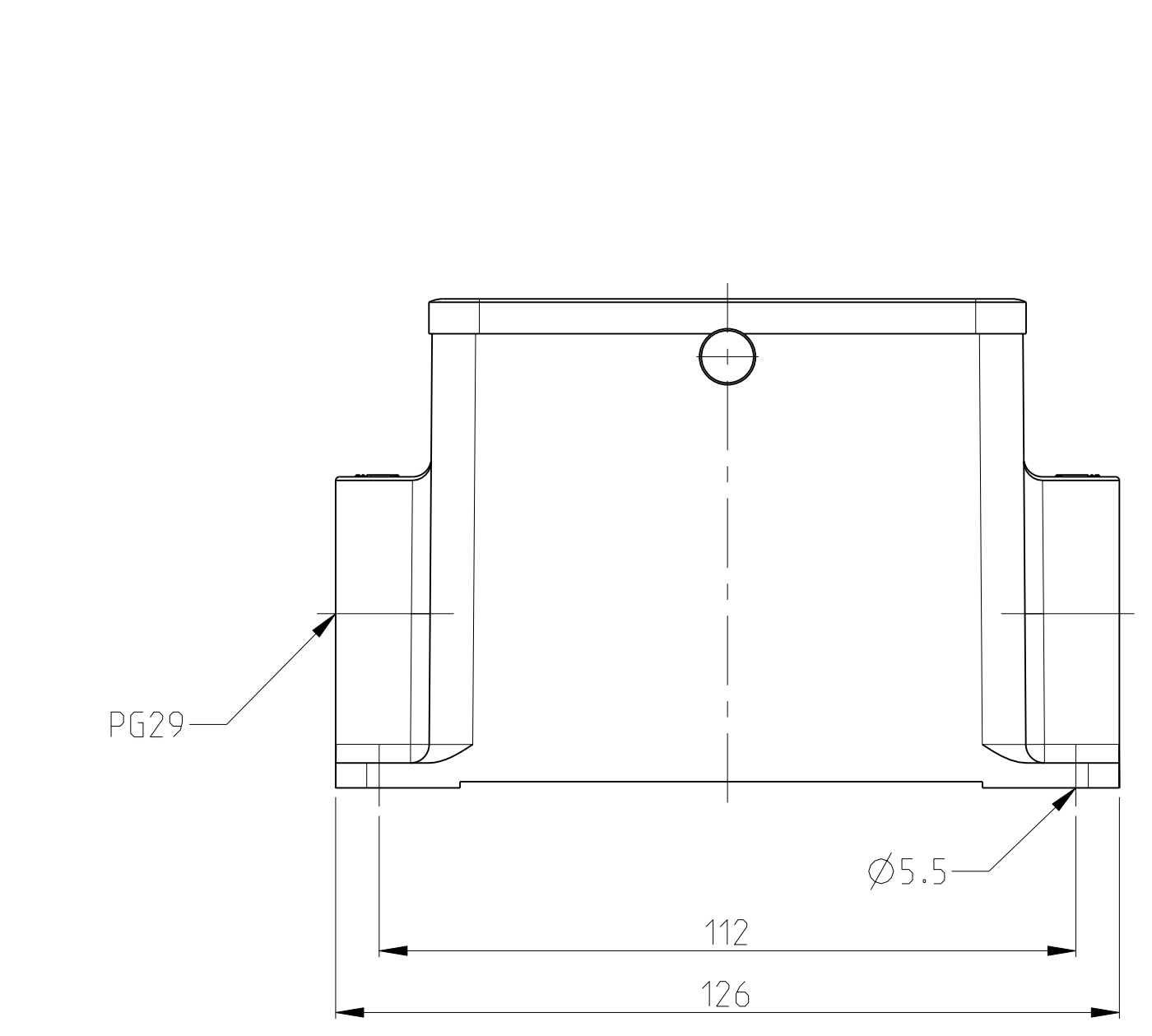
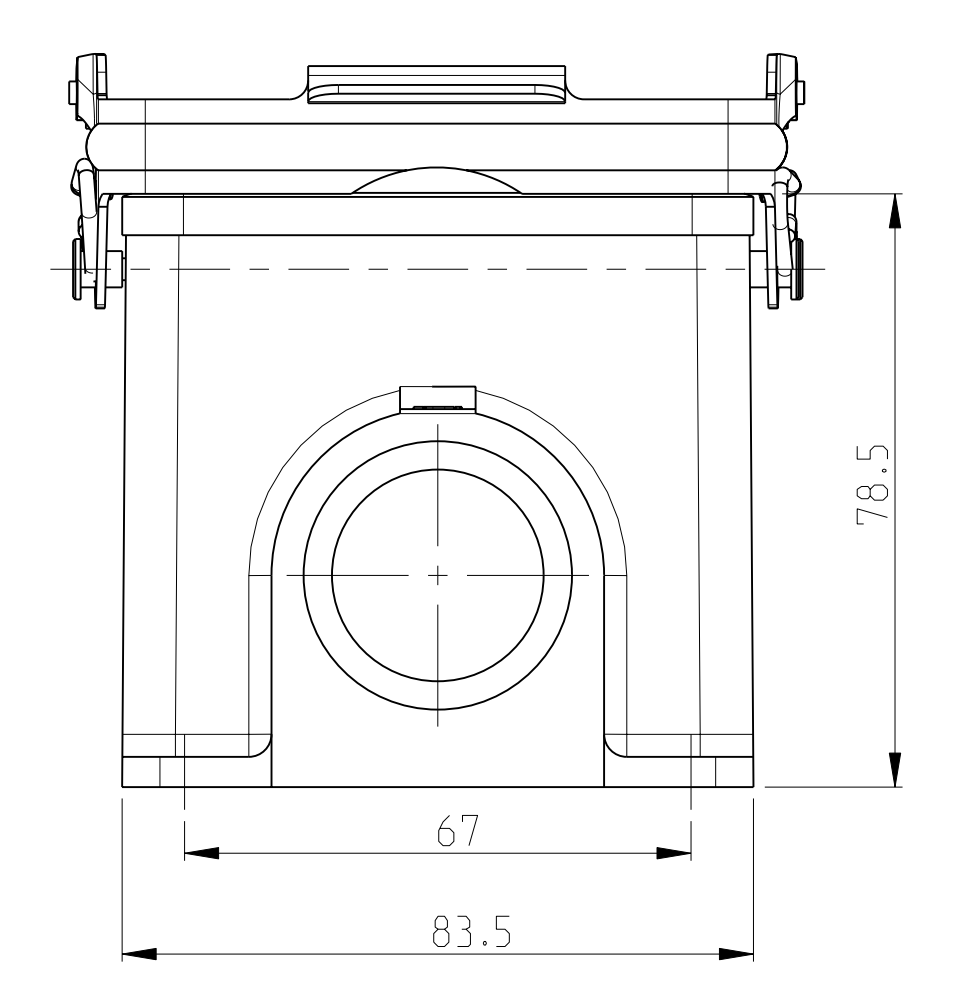
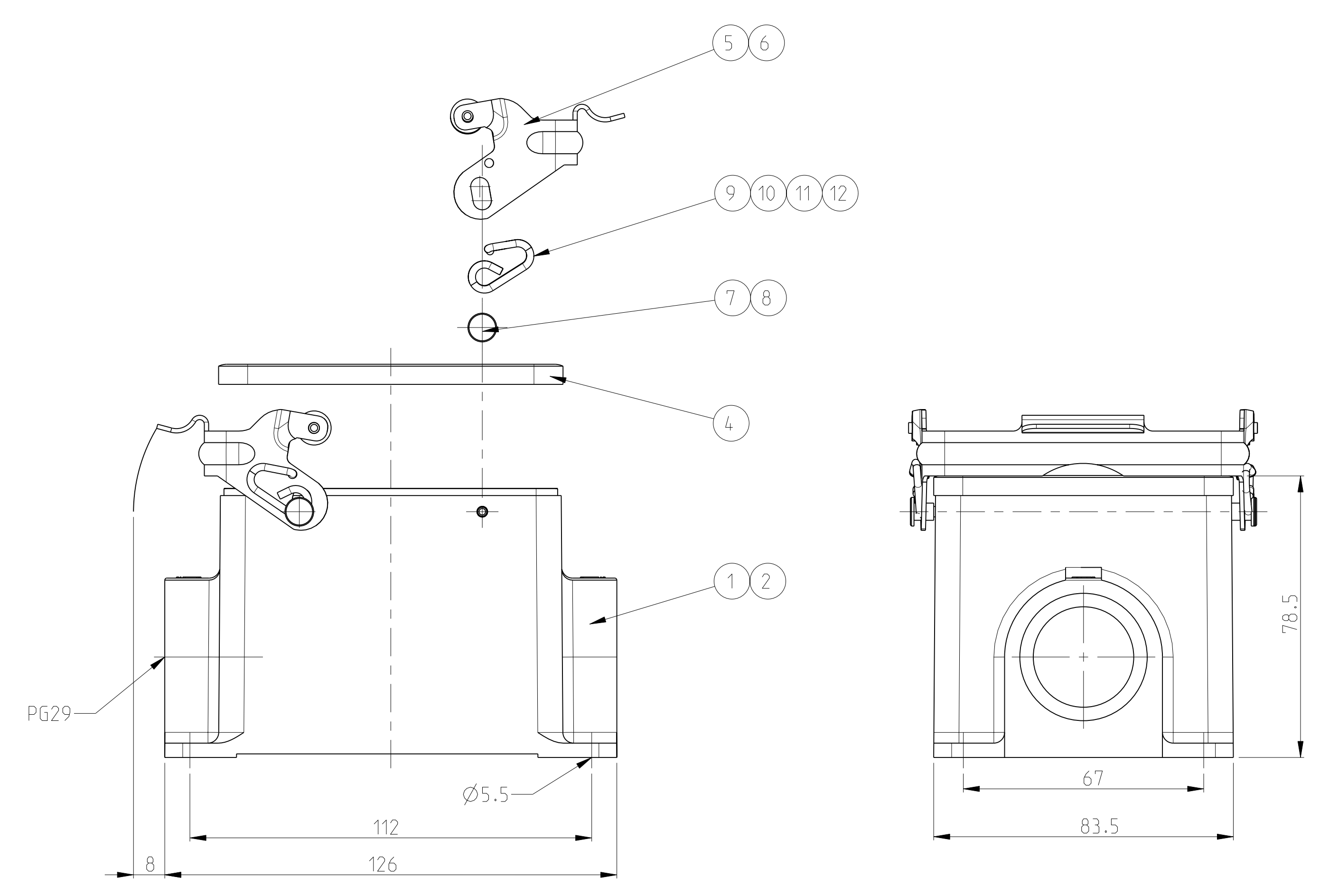


LOC	DIST	REVISIONS			
P	LTB	DESCRIPTION	DATE	DWN	APVD
A2		new pro/E drawing ECR-09-007725	30MAR2009	SR	AR



- NOTES
- PART SHALL BE FREE AND CLEAN OF BURRS AND OTHER FOREIGN MATERIAL
  - PACKAGING: QUANTITY 3 PIECES
  - VARNISHING INSIDE HOUSING NOT REQUIRED

QTY	DESCRIPTION	MATERIAL	SURFACE	COLORE	ITEM	NOTES		
2	SLIDE SPOOL	STEEL	ZINC PLATED	BLUE	14			
2	CLIP BOLT	STEEL	ZINC PLATED	BLUE	13			
2	CLIP SPRING RIGHT	STAINLESS STEEL	BLANC		12			
2	CLIP SPRING RIGHT	STEEL	ZINC PLATED	BLUE	11			
2	CLIP SPRING LEFT	STAINLESS STEEL	BLANC		10			
2	CLIP SPRING LEFT	STEEL	ZINC PLATED	BLUE	9			
4	CLIP POSITIONER	STAINLESS STEEL	BLANC		8			
4	CLIP POSITIONER	STEEL	ZINC PLATED	BLUE	7			
2	LOCKING CLIP	STAINLESS STEEL	BLANC		6			
2	LOCKING CLIP	STEEL	ZINC PLATED	BLUE	5			
1	1	1	PROFIL SEAL	NEOPRENE		BLACK	4	
1	1	SURFACE MOUNTED HOUSING SIDE ENTRY	ALUMINIUM			GREY	3	
1	1	SURFACE MOUNTED HOUSING SIDE ENTRY	ALUMINIUM	ALUMINIUMOXID		BLACK	2	
1	1	SURFACE MOUNTED HOUSING SIDE ENTRY	ALUMINIUM			GREY	1	
1-8	2-1	1-1	DESCRIPTION	MATERIAL	SURFACE	COLORE	ITEM	NOTES
HB-32.SG-VS.1.29.Z								
HB-K.32.SG-VS.1.29.Z								
HB-Z.32.SG-ZVGR.1.29.Z								

DIMENSIONS: mm 		TOLERANCES UNLESS OTHERWISE SPECIFIED: 9 PLC ± 1 PLC ± 2 PLC ± 3 PLC ± 4 PLC ± ANGLES ±1° FINISH -		DWN R.SCHNEIDER 23MAR2009 CHK T.SCHNURPEITL 23MAR2009 APVD -		Tyco Electronics Tyco Electronics AMP GmbH 53757 Sankt Augustin (Germany)	
MATERIAL -		PRODUCT SPEC - APPLICATION SPEC -		NAME Surface mounted housing bottom entry ASSY HB.32.SG.1.29		SIZE CAGE CODE DRAWING NO RESTRICTED TO A 00779 C=1102354 -	
CUSTOMER DRAW ING		WEIGHT -		SCALE 1:1		SHEET 1 OF 1 REV A2	