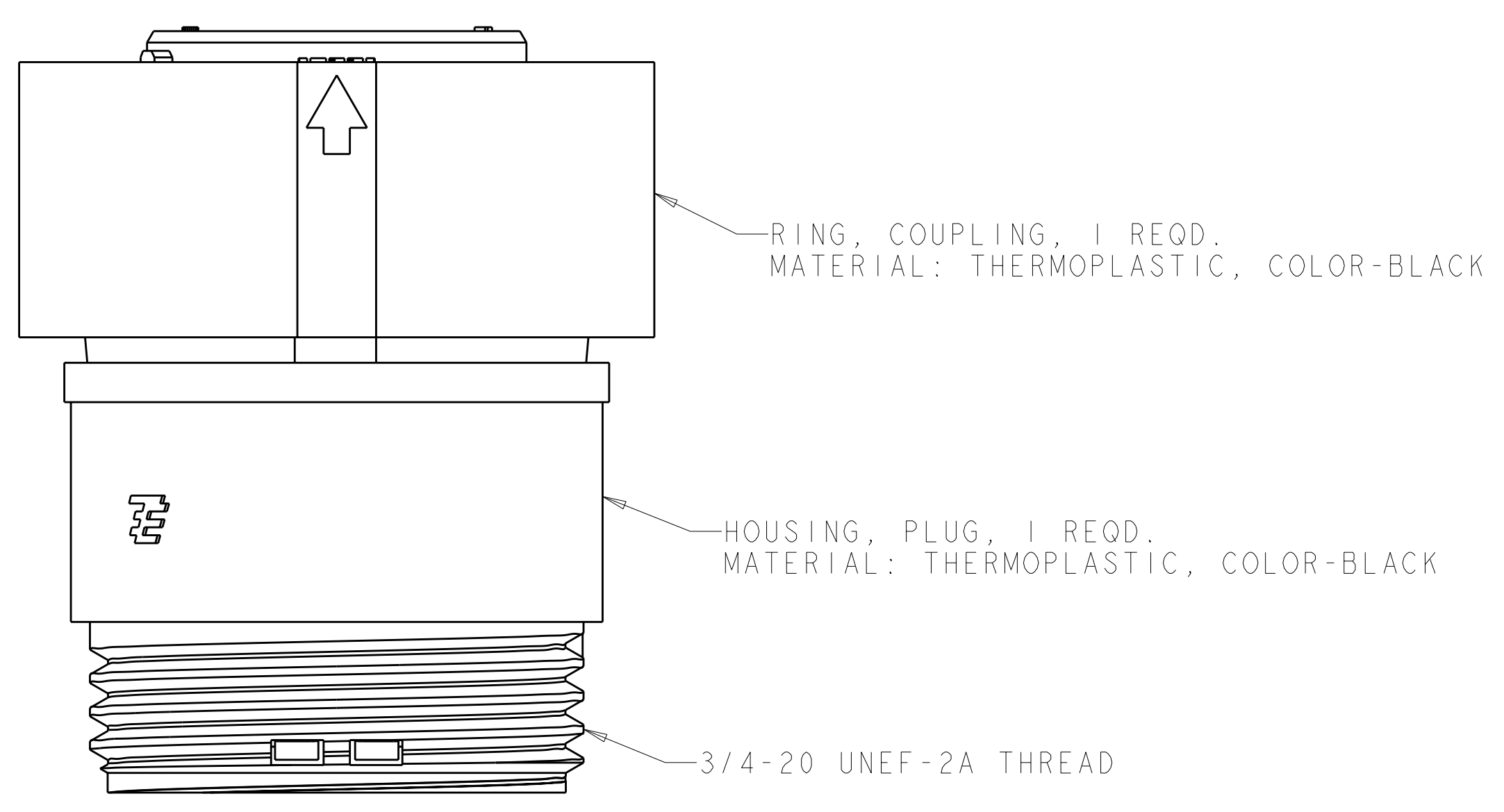
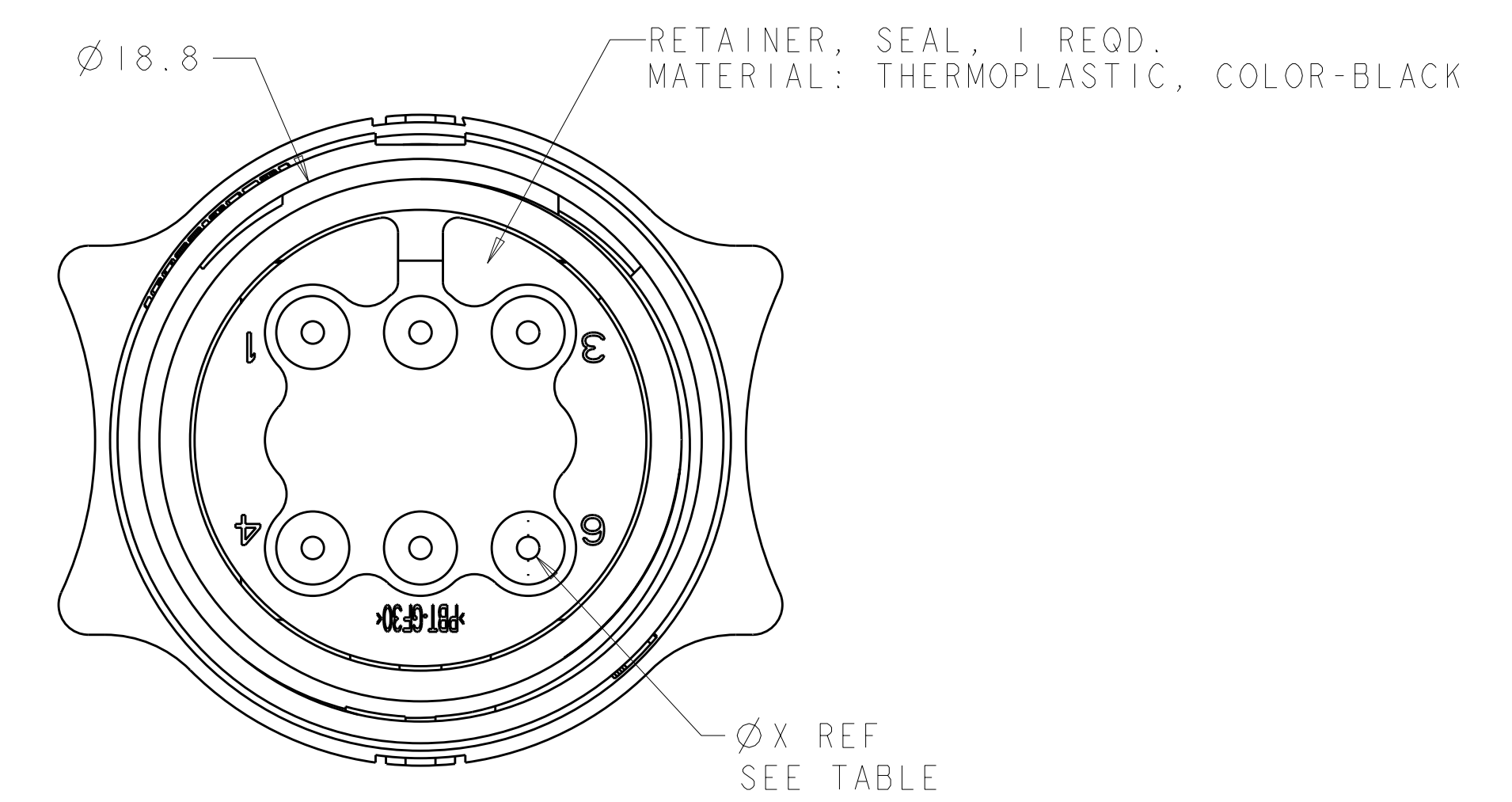
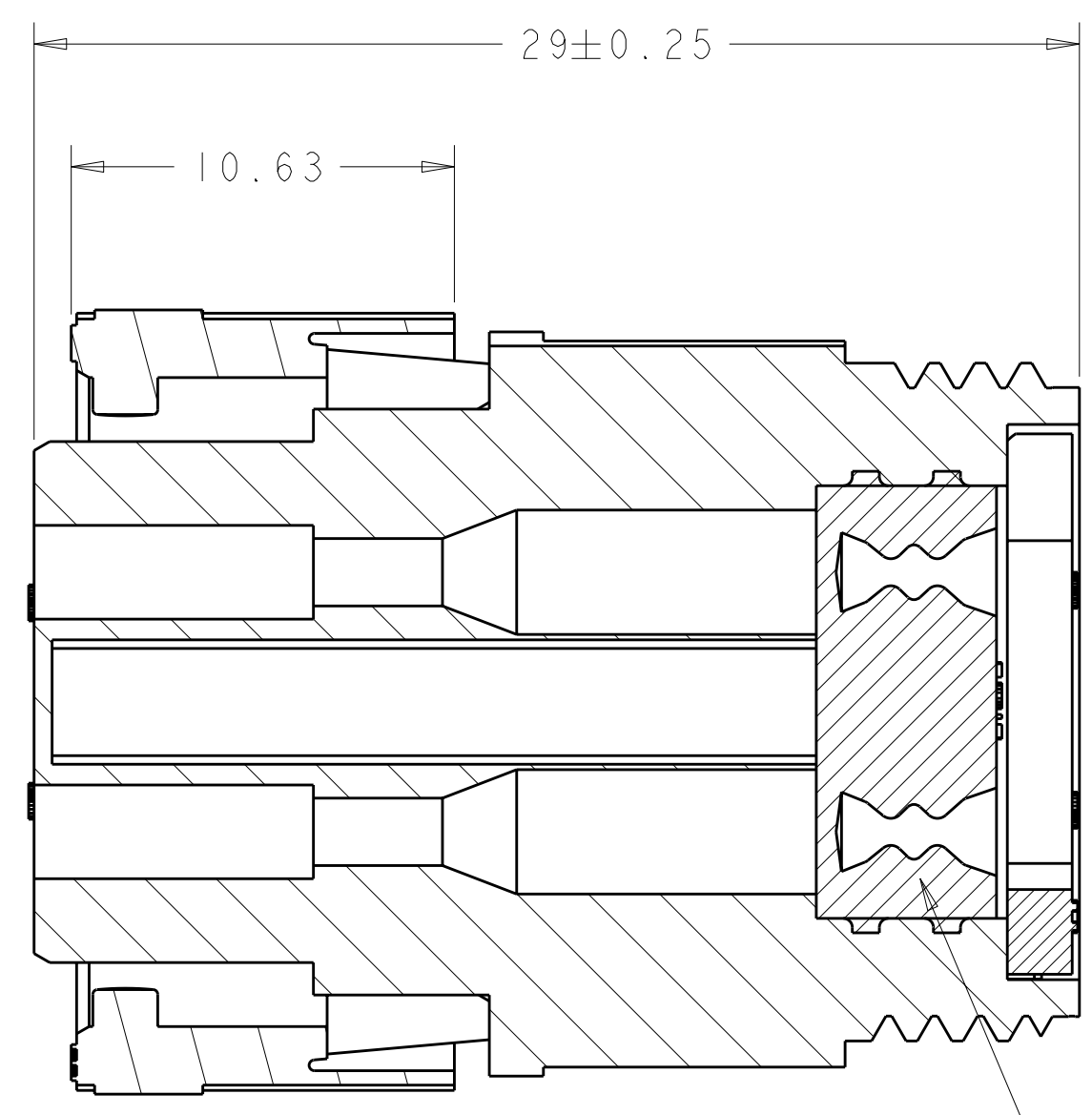
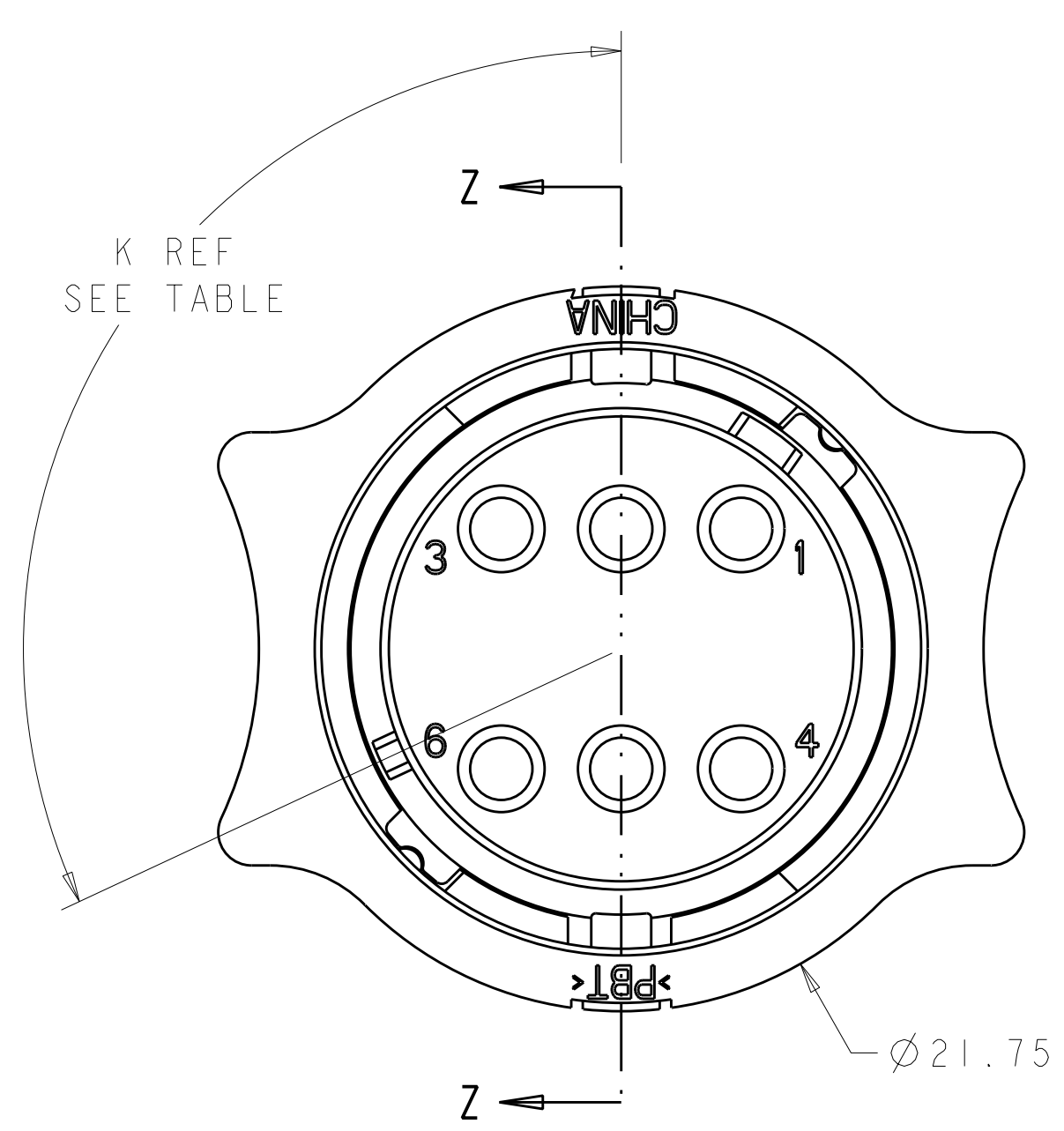
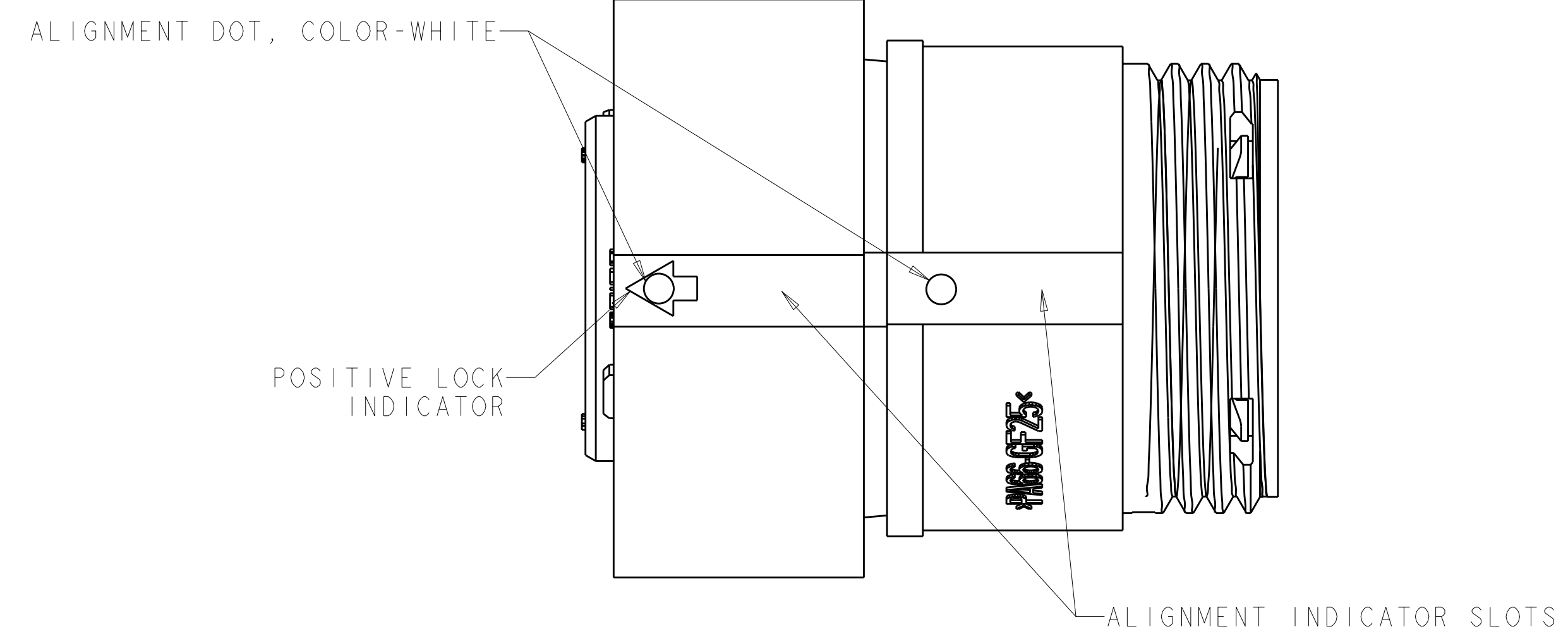


LOC	DIST	REVISIONS			
REV	DATE	BY	APPD	DESCRIPTION	
0					
1	22OCT2010	HMR	MG	REVISED ECO-10-014504	



QUALIFICATION TEST PENDING

YELLOW	$\phi 0.75$	135°	1445819-4
NATURAL	$\phi 1.5$	115°	1445819-3
NATURAL	$\phi 1.5$	135°	1445819-2
YELLOW	$\phi 0.75$	115°	1445819-1
SEAL, WIRE ENTRY COLOR	ϕX REF	K REF	PART NUMBER

<small>THIS DRAWING IS UNPUBLISHED. RELEASED FOR PUBLICATION BY TYCO ELECTRONICS CORPORATION. ALL RIGHTS RESERVED. THIS IS SUBJECT TO CHANGE WITHOUT NOTICE AND WITHOUT OBLIGATION. SHOULD BE CONTACTED FOR THE LATEST REVISION.</small>		DWN: SHANE WUEST 16OCT2001 CHK: G DOUTY 16OCT2001 APVD: H WAKEEM 13JUN2003	Tyco Electronics Harrisburg, PA 17105-3608
DIMENSIONS: mm 	TOLERANCES UNLESS OTHERWISE SPECIFIED: 0 PLC ± 1 PLC ± 2 PLC ±0.13 3 PLC ± 4 PLC ± ANGLES ± FINISH -	NAME: ASSEMBLY, PLUG, SIZE 11, 6 POSITION, SEALED, MINI CPC PRODUCT SPEC - APPLICATION SPEC - WEIGHT - CUSTOMER DRAWING	SIZE: A1 CAGE CODE: 00779 DRAWING NO: C-1445819 SCALE: 5:1 SHEET: 1 OF 1 REV: C1