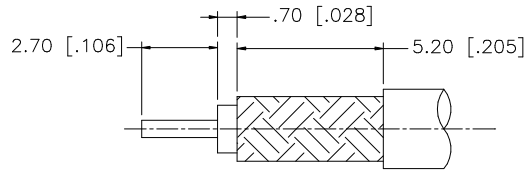
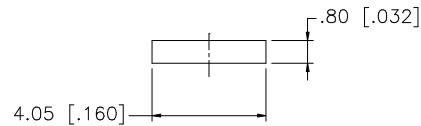
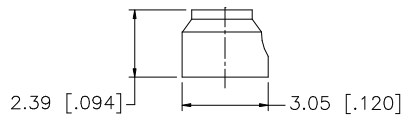
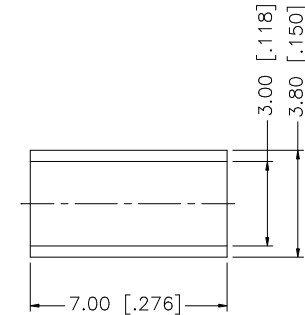
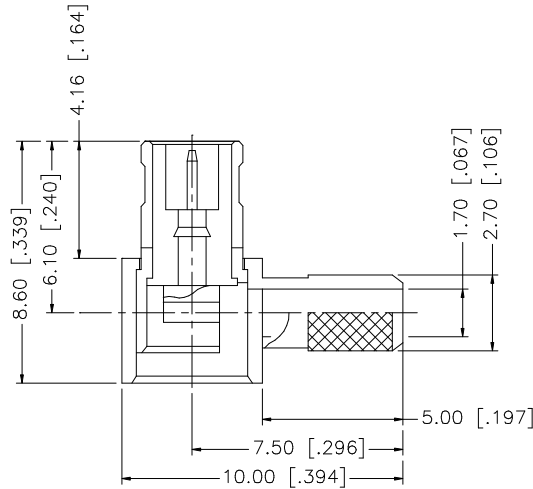
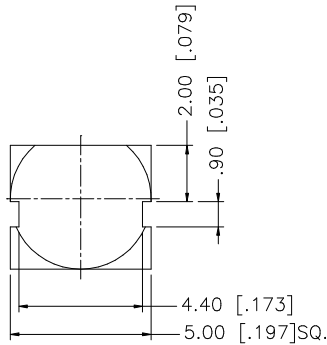


REV.	DATE	DESCRIPTION
A	04/31/03	UPDATE DRAWING FORMAT
B	10/19/06	REVISE PLATING TO NICKEL (BODY, COVER, FERRULE)
C	11/13/06	MODIFY BARREL O.D. TO 2.7mm



RECOMMENDED  
CABLE STRIPPING DIM'S



NOTE:

1. CRIMPED FERRULE HEX CRIMP SIZE .128"
2. CONTACT PIN TO SOLDER

DESCRIPTION	MATERIAL	FINISH	QTY	UNLESS OTHERWISE SPECIFIED DIMENSIONS ARE IN MILLIMETERS. DIMENSIONS IN [ ] ARE IN INCHES AND FOR CUSTOMER REFERENCE ONLY.	APPROVALS	DATE	PART DESCRIPTION					
8							<h1 style="text-align: center; color: blue;">Amphenol Connex</h1> <p style="text-align: center; font-weight: bold;">MCX R/A CRIMP PLUG (FOR RG-174/U, 188A/U, 316/U)</p>					
7												
6	FERRULE	COPPER	NICKEL	1	UNLESS OTHERWISE SPECIFIED TOLERANCES FOR MILLIMETERS ARE: 0.5 - 8mm ± 0.20mm 8 - 30mm ± 0.40mm 30 - 120mm ± 0.50mm	11/13/06				PART NO. 252100		
5	COVER	BRASS	NICKEL	1								
4	INSULATOR	DELTRIN	NATURAL	1	UNLESS OTHERWISE SPECIFIED TOLERANCES FOR INCHES ARE: .020 - .315 = ± 0.007" .315 - 1.180 = ± 0.015" 1.180 - 4.724 = ± 0.020"					DWG. NO. 252100.DWG		
3	CONTACT PIN	BRASS	GOLD	1								
2	INSULATOR	TEFLON	NATURAL	1						C:/252/252100.DWG		
1	BODY	BRASS	NICKEL	1								