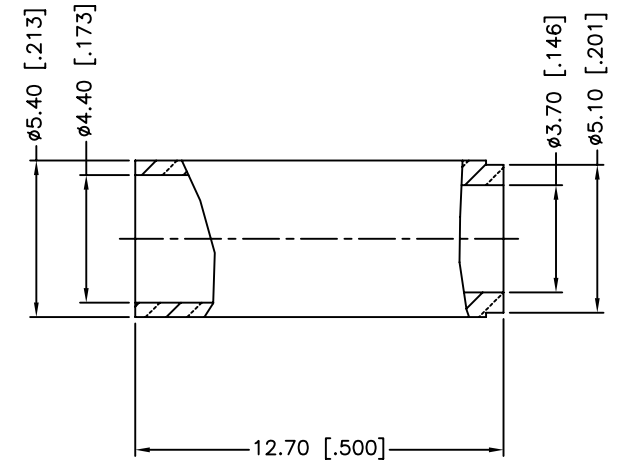
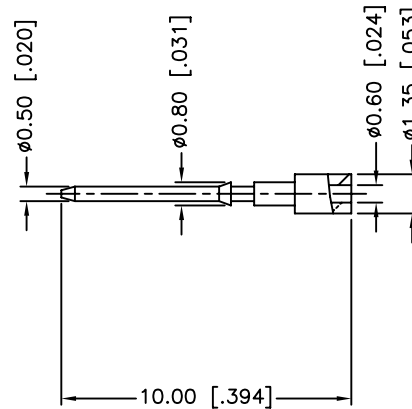
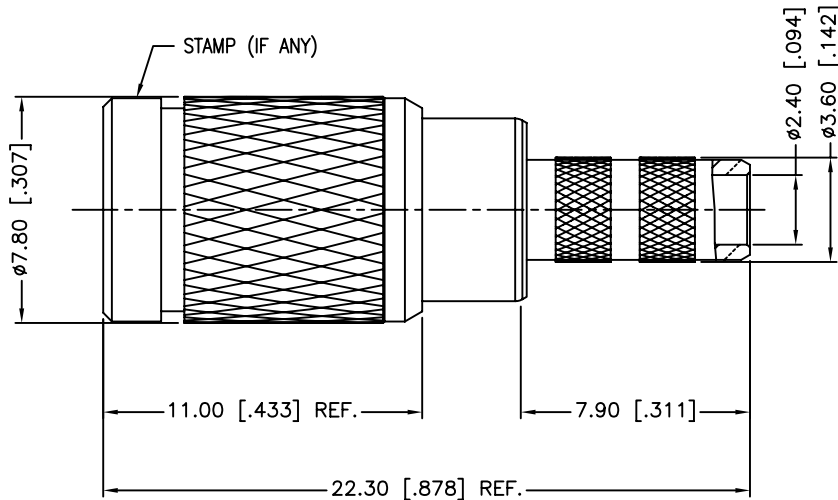
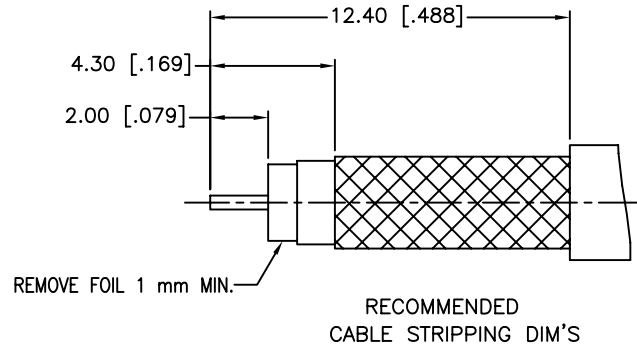


REV.	DATE	ECR NO.	DESCRIPTION
NC	04/08/10	XXXXXX	INITIAL RELEASE
A	10/03/07	XXXXXX	REVISE BODY DIAMETER AND LENGTH
B	11/18/07	XXXXXX	CHANGE CABLE DESCRIPTION TO "735A CABLE"
C	04/08/10	XXXXXX	THE DESIGN WAS CHANGED
D	06/28/11	2187	THE BODY AND BARREL WERE CHANGED AND ADD NOTE 5
E	06/11/13	2479	CORRECT NOTE 4



1. FREQUENCY RANGE: DC - 3 GHz
2. VSWR (RETURN LOSS): 1.15, MAX.
3. CRIMPED FERRULE  
HEX CRIMP SIZE .178"
4. CRIMPED CONTACT PIN  
HEX CRIMP SIZE .042"
5. THE CONNECTOR MUST WITHSTAND THE WEIGHT OF AT LEAST 20 FEET OF CABLE

8	FERRULE	BRASS	NICKEL	1
7	CONTACT PIN	BRASS	GOLD	1
6	BARREL	BRASS	NICKEL	1
5	INSULATOR	PTFE	NATURAL	1
4	OUT CONTACT	BER. COPPER	GOLD	1
3	BODY	BRASS	NICKEL	1
2	SPRING	SUS 301H	PASSIVATED	1
1	SHELL	BRASS	NICKEL	1
	DESCRIPTION	MATERIAL	FINISH	QTY

UNLESS OTHERWISE SPECIFIED DIMENSIONS ARE IN MILLIMETERS. DIMENSIONS IN [ ] ARE IN INCHES AND FOR CUSTOMER REFERENCE ONLY.

UNLESS OTHERWISE SPECIFIED TOLERANCES FOR MILLIMETERS ARE:  
0.5 - 8mm ± 0.20mm  
8 - 30mm ± 0.40mm  
30 - 120mm ± 0.50mm

UNLESS OTHERWISE SPECIFIED TOLERANCES FOR INCHES ARE:  
.020 - .315 = ± 0.007"  
.315 - 1.180 = ± 0.015"  
1.180 - 4.724 = ± 0.020"

DO NOT SCALE DRAWING

APPROVALS		DATE
DRAWN	M.ZHANG	06/11/13
CHECKED		
ISSUED		
SHEET	1 OF 1	
CAD FILE	C:/CONNEX/282118-75.DWG	

# Amphenol Connex

PART DESCRIPTION			
1.0/2.3 PUSH-PULL CRIMP PLUG (FOR AT&T 735A CABLE)			
PART NO.			
282118-75			
DWG. NO.	282118-75.DWG	REV.	E
SIZE	A	SCALE	NA