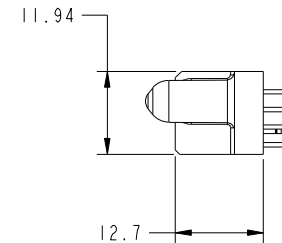
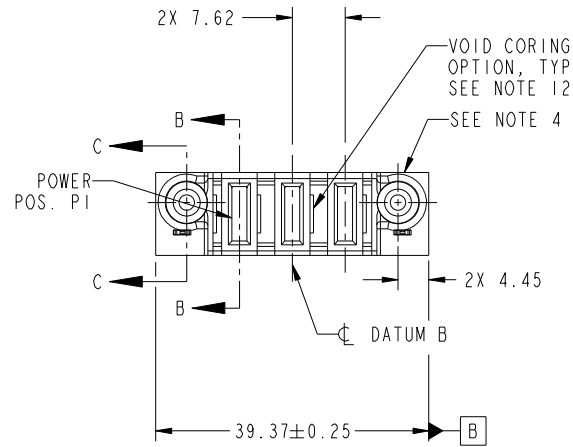


Tous droits strictement reserves. Reproduction ou communication a des tiers interdite sous quelque forme que ce soit sans autorisation écrite du propriétaire. Propriete de c FCI. Droits de reproduction FCI.



All rights strictly reserved. Reproduction or issue to third parties in any form whatever is not permitted without written authority from the proprietor. Property of FCI. Copyright FCI.

PRODUCT NO.	POWER				
	E2	P3	P2	P1	E1
51940-358-- NOTE: 3					



CODE	DIM "M" MATING LENGTH	CONTACT TYPE
PD	[2.34]	POWER
HA	[N/A]	HOLD-DOWN

mat'l code				SEE NOTES		tolerances unless otherwise specified		CUSTOMER		FCI	
ltr	ecn no.	dr	date	linear	0.X ±0.5	projection		COPY		www.fciconnect.com	
A	DG10-0218	SM	06/09/10	angles	0.XX ±0.25	MIM		title		3ACP	
				dr	0.XXX ±0.1	scale		product family		PwrBlade	
				enr	0° ±2°	1:1		size		code	
				chr	Shower Ma 06/09/10			dwg no		213	
				appd	Shower Ma 06/09/10			51940-358		sheet	
					PM Zheng 06/09/10			A		1 of 4	
					Joseph Hsia 06/09/10						
sheet index	revision sheet	A	A	A	A						
		1	2	3	4						
								cage code		22526	

Pro/E

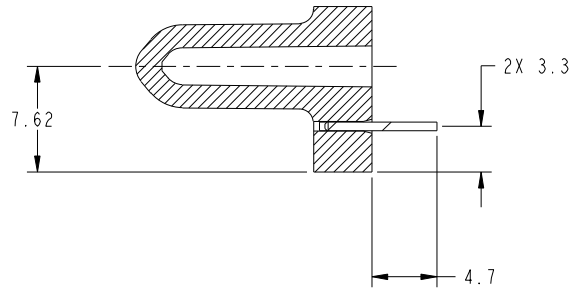
cage code 22526

Tous droits strictement reserves. Reproduction ou communication a des tiers interdite sous quelque forme que ce soit sans autorisation ecrite du proprietaire. Propriete de c FCI. Droits de reproduction FCI.

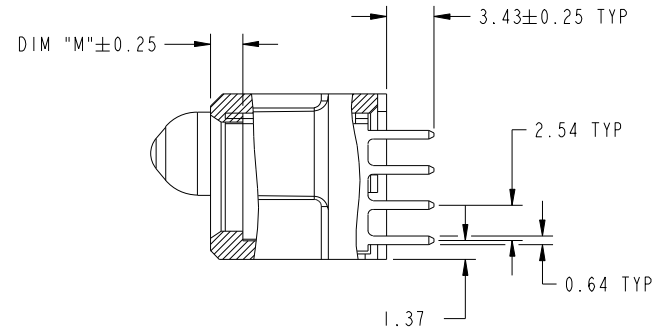


All rights strictly reserved. Reproduction or issue to third parties in any form whatever is not permitted without written authority from the proprietor. Property of FCI. Copyright FCI.

PRODUCT NUMBER
51940-358_
NOTE: 3



SECTION C-C
SCALE 2:1



SECTION B-B
SCALE 2:1

mat'l code				tolerances unless otherwise specified			CUSTOMER		FCI		www.fciconnect.com	
ltr	ecr no.	dr	date	linear	0.X ± 0.5			COPY		projection	title	
A					0.XX ± 0.25			MIM			3ACP	
					0.XXX ± 0.1			1:1			VERTICAL SOLDER RECEPT	
				angles	0° ± 2°			product family		PwrBlade		
				dr	Shower Ma	06/09/10	size		dwg no		code	
				enr	Shower Ma	06/09/10	A		51940-358		213	
				chr	PM Zheng	06/09/10	sheet		2 of 4			
				appd	Joseph Hsia	06/09/10	scale		1:1			
sheet index	revision sheet											

cage code 22526

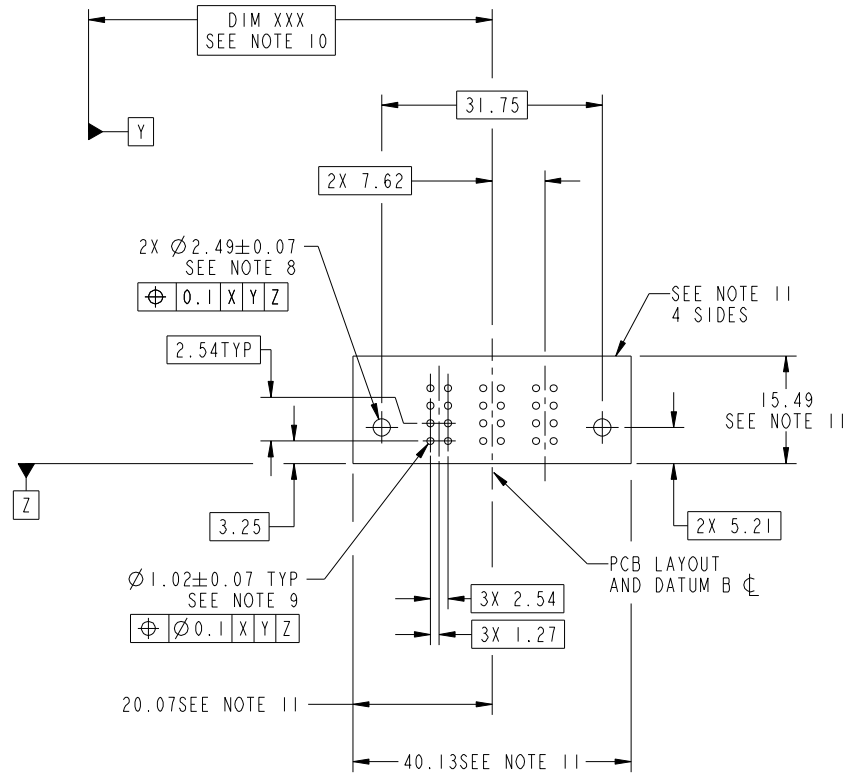
Pro/E

Tous droits strictement reserves. Reproduction ou communication a des tiers interdite sous quelque forme que ce soit sans autorisation écrite du propriétaire. Propriete de c FCI. Droits de reproduction FCI.



All rights strictly reserved. Reproduction or issue to third parties in any form whatever is not permitted without written authority from the proprietor. Property of FCI. Copyright FCI.

PRODUCT NUMBER
51940-358_
NOTE: 3



RECOMMENDED PCB LAYOUT

mat'l code				tolerances unless otherwise specified		CUSTOMER		FCI	
ltr	ecn no.	dr	date	linear	0.X ± 0.5	COPY		www.fciconnect.com	
A				linear	0.XX ± 0.25	projection		title 3ACP	
				angles	0.XXX ± 0.1			VERTICAL SOLDER RECEPT	
				dr	0° ± 2°			product family PwrBlade code 213	
				enr	Shower Ma 06/09/10	scale		size dwg no 213	
				chr	Shower Ma 06/09/10	1:1		sheet 3 of 4	
				appd	PM Zheng 06/09/10			51940-358	
					Joseph Hsia 06/09/10			3 of 4	
sheet index	revision sheet								

Pro/E

cage code 22526

Tous droits strictement reserves. Reproduction ou communication a des tiers interdite sous quelque forme que ce soit sans autorisation écrite du propriétaire. Propriete de c FCI. Droits de reproduction FCI.



All rights strictly reserved. Reproduction or issue to third parties in any form whatever is not permitted without written authority from the proprietor. Property of FCI. Copyright FCI.

PRODUCT NUMBER
51940-358_
NOTE: 3

NOTES:

1. DIMENSIONS AND TOLERANCES ARE IN ACCORDANCE WITH ASME Y14.5M, 1994 UNLESS OTHERWISE SPECIFIED.

CONNECTOR NOTES:

- 2 HOUSING MATERIAL: UL 94 V-0 GLASS FILLED HIGH-TEMP THERMOPLASTIC
POWER CONTACT MATERIAL: COPPER ALLOY
- 3. SEE ITEM 5 & 6 IN PRINT 10064183 FOR PLATING SPEC OF 51940-358 AND 51940-358LF RESPECTIVELY.
- 4 MANUFACTURER'S NAME, DATE CODE AND OPTIONAL P/N TO APPEAR ON THIS SURFACE. THE P/N CAN BE OMITTED IF THERE IS NOT ENOUGH SPACE ON THIS SURFACE.
- 5. PRODUCT SPECIFICATION GS-12-149.
APPLICATION SPECIFICATION BUS-20-067.
- 6. PACKAGED IN TRAYS.

PCB NOTES:

- 7. ALL HOLE DIAMETERS ARE FINISHED HOLE SIZE.
- 8 MOUNTING HOLES, WHERE APPLICABLE, ARE UNPLATED.
- 9 $\varnothing 1.151 \pm 0.025$ DRILLED HOLES PLATED WITH
0.008 MIN SnPb OR Sn OVER 0.03
TO 0.08 Cu PLATING TO ACHIEVE
 $\varnothing 1.02 \pm 0.07$ HOLE.
- 10 "DIM XXX" TO BE DETERMINED BY THE CUSTOMER.
- 11 CONNECTOR KEEP-OUT ZONE.
- 12. THE VOID CORING IN BETWEEN POWER MODULES, SIGNAL MODULES AND END MODULES ARE OPTIONAL AND THE SHAPE MAY BE DIFFERENT FOR OPTIMIZE THE MOLDING PROCESS. THE VOID CORING WILL NOT EFFECT TO PRODUCT FUNCTION.

mat'l code				tolerances unless otherwise specified		CUSTOMER		FCI	
ltr	ecn no.	dr	date	linear	0.X ± 0.5	COPY		www.fciconnect.com	
A				linear	0.XX ± 0.25	projection		title	
				angles	0.XXX ± 0.1			3ACP VERTICAL SOLDER RECEIPT	
				dr	0° ± 2°	MIM		product family	PwrBlade
				enr	Shower Ma 06/09/10			size	code
				enr	Shower Ma 06/09/10	scale		dwg no	213
				chr	PM Zheng 06/09/10	1:1		A	sheet
				appd	Joseph Hsia 06/09/10	A			
sheet index	revision sheet								

cage code 22526