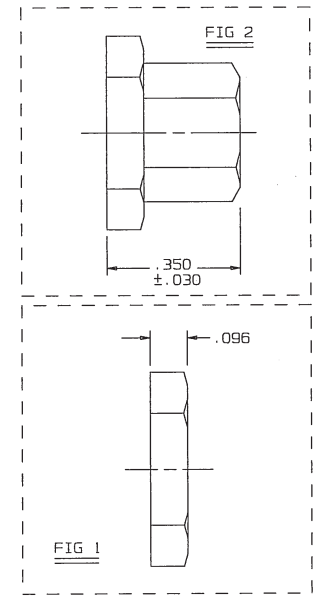
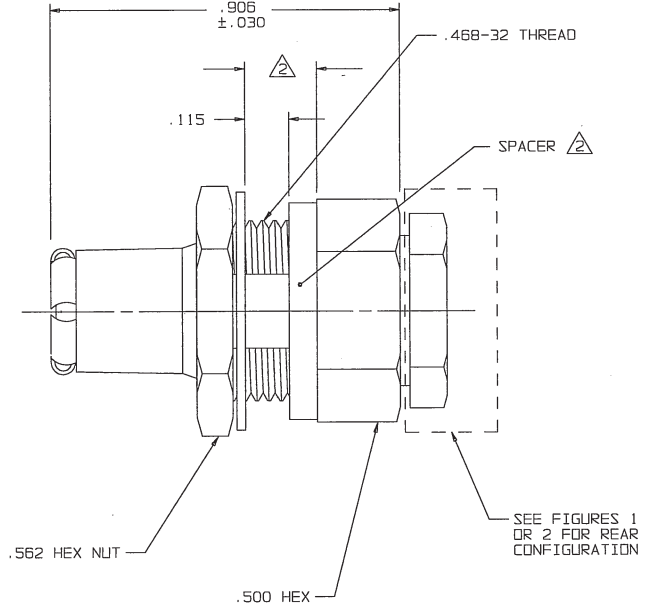


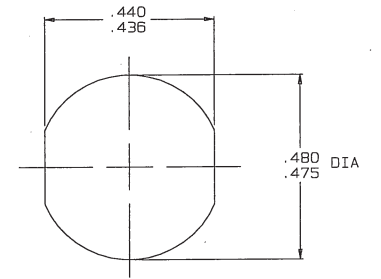
DATA CONTAINED IN THIS DOCUMENT IS PROPRIETARY TO TROMPETER ELECTRONICS INC. AND SHALL NOT BE DISCLOSED, COPIED OR USED FOR PROCUREMENT OR MANUFACTURE WITHOUT EXPRESS WRITTEN PERMISSION.

REVISIONS		1-0431	SH 1
REV	DESCRIPTION	DWN	APPROVED
K	REVISED PER ECO 16361	L.M.	<i>Amc</i> 9/4/07

DASH NO	FIG	CABLES ACCOMMODATED	ASSEMBLE PER
-1		RG-58	
-U1		ESSEX 621-715	
-2		RG-59	
-U2			
-2A		BELDEN 8279	
-U2A			
-2B		W. E. CO. 730A	
-U2B			
-3		RG-223	
-U3			
-3A		RG-55	
-U3A			
-4		RG-122	
-U4		BELDEN 8218	
-5		RG-174	
-U5		RG-187	
-5A	1	RG-196	TAI-101
-U5A			
-5B		HEWLETT-PACKARD 8120-1107	
-U5B			
-21		RG-303	
-U21			
-22		RG-180	
-U22			
-34		BELDEN 8228	
-U34			
-36		MICRODOT 275-3991	
-U36		AMPEX 616-569	
-41		RG-304	
-U41		BELDEN 9248	
-44		BRAND-REX B749	
-U44		GORE C06C032	
-63		734A AT & T	
-U63			
-086	2	RG-405	TAI-130
-U086			
-141		RG-402	
-U141			

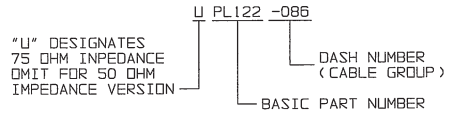


-1 SHOWN



RECOMMENDED
PANEL CUTOUT
SCALE: 4/1

4. EXAMPLE OF COMPLETE PART NUMBER:



3. 50 AND 70 OHM COAXIAL PUSH-ON TYPE BULKHEAD CABLE PLUG, BNC STYLE

△ MAXIMUM PANEL THICKNESS: .187 (REMOVE SPACER)

1. FINISH: TFS-1A (NICKEL)

RED INDICATES ORIGINAL

QTY	DESCRIPTION	PART NUMBER	ITEM
TOL UNLESS SPECIFIED .XX ± .02 .XXX ± .010 .XXXX ± ANGLES ±	TROMPETER RF connectivity	PL122/UPL122	
DWN L.M. 4-23-07	MATERIAL	CODE IDENT 14949	DRAWING NO. 1-0431
ENGR <i>DM</i> 6/22/07	SCALE 4/1	DATE 8/14/07	REV K
APPR <i>DM</i> 8/31/07	NEXT ASSY	SHEET 1C	