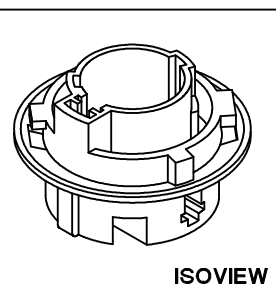
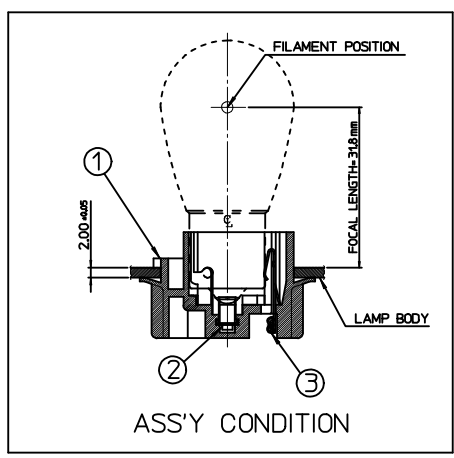


- NOTES
1. FOCAL LENGTH = 31.8mm
 2. APPLICABLE BULB CAP: PY21W(BAU15s)
 3. MATES WITH

| NO. | DESCRIPTION | MATERIAL | ORDER NO. | REMARK |
|-----|-------------------|-----------------|------------|----------|
| ② | POSITIVE TERMINAL | PHOSPHOR BRONZE | 35438-8000 | UNPLATED |
| ③ | EARTH TERMINAL | PHOSPHOR BRONZE | 35439-8000 | UNPLATED |

H <PART LIST>

| NO. | DESCRIPTION | MATERIAL | USAGE | REMARK |
|-----|---------------|----------|-------|--------|
| ① | SINGLE SOCKET | PA66 | 1 | B TYPE |



REVISED
EC NO: KTR2015-0097
DRWN: YIBA EK 2015/04/24
CHKD:
APPR: JYCH01 2015/05/04

| QUALITY SYMBOLS | GENERAL TOLERANCES (UNLESS SPECIFIED) | |
|-----------------|---------------------------------------|-----------|
| | mm | INCH |
| $\nabla = 0$ | 4 PLACES \pm --- | \pm --- |
| $\nabla C = 0$ | 3 PLACES \pm --- | \pm --- |
| | 2 PLACES \pm 0.2 | \pm --- |
| | 1 PLACE \pm 0.3 | \pm --- |
| | ANGULAR \pm 3 ° | |

DRAFT WHERE APPLICABLE MUST REMAIN WITHIN DIMENSIONS

| DIMENSION STYLE | | SCALE |
|-----------------|--------------|--|
| MM ONLY | | 1:1 |
| DRAWN BY | DATE | TITLE |
| JSKANG | 1998/01/31 | NON-SEALED BULB SOCKET SINGLE HOUSING ASS'Y (B-TYPE) |
| CHECKED BY | DATE | |
| BKCH01 | 1998/01/31 | |
| APPROVED BY | DATE | |
| CWLEE | 1998/01/31 | |
| MATERIAL NO. | DOCUMENT NO. | SHEET NO. |
| SEE TABLE 1 | SD-35533-002 | 1 OF 1 |

<TABLE 1>

| MATERIAL NO. | ORDER NO. | COLOR |
|--------------|------------|-------|
| 355330211 | 35533-0211 | BLACK |
| 355330215 | 35533-0215 | GRAY |
| 355330216 | 35533-0216 | WHITE |

DESIGN UNITS: METRIC

THIRD ANGLE PROJECTION

MOLEX INCORPORATED

THIS DRAWING CONTAINS INFORMATION THAT IS PROPRIETARY TO MOLEX INCORPORATED AND SHOULD NOT BE USED WITHOUT WRITTEN PERMISSION