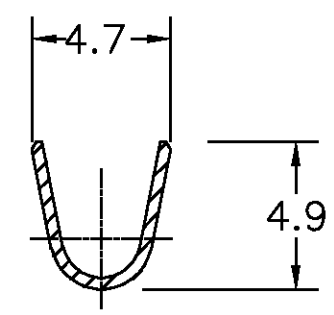
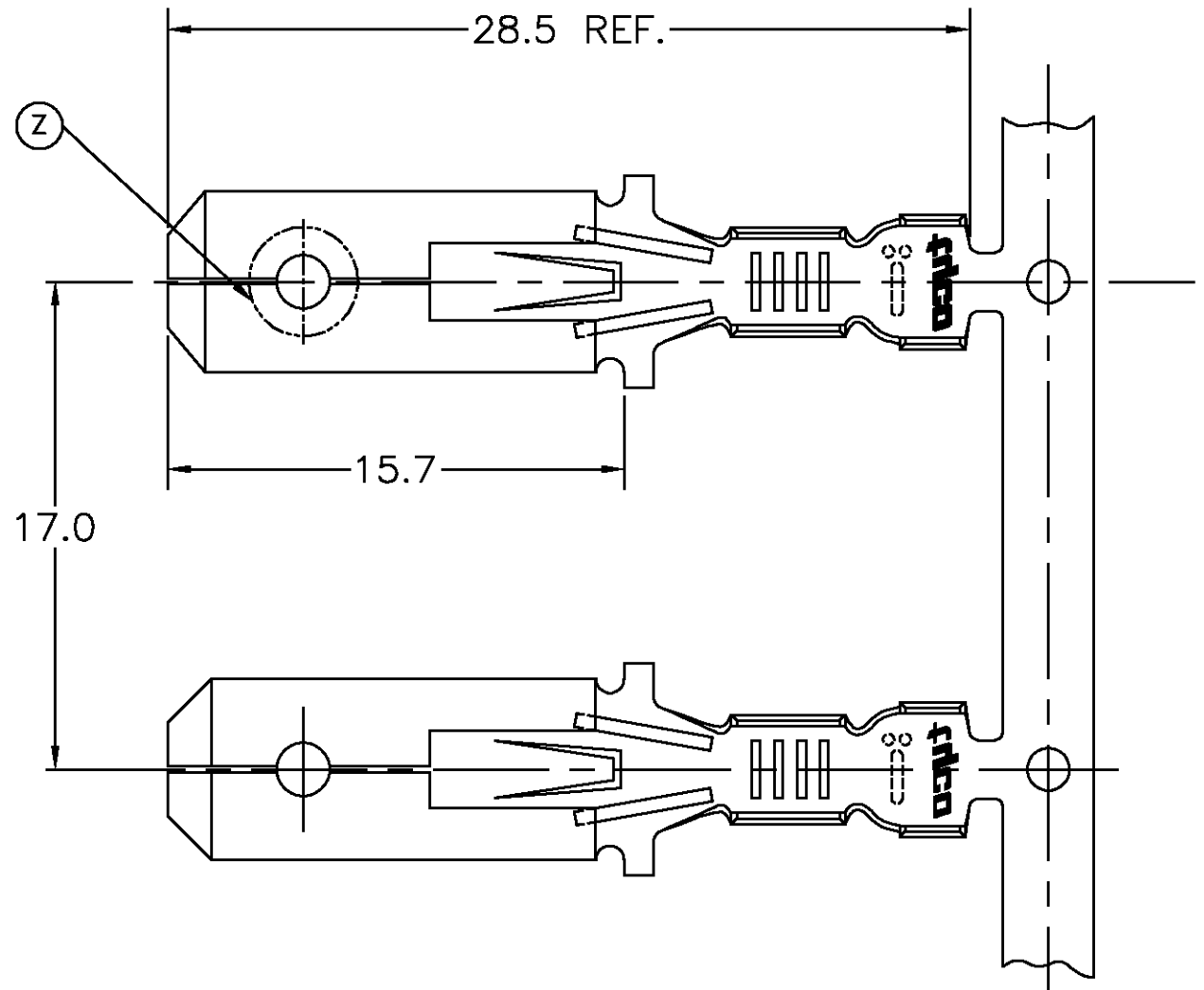


THIS DRAWING IS UNPUBLISHED. RELEASED FOR PUBLICATION
 © COPYRIGHT - BY TYCO ELECTRONICS CORPORATION. ALL RIGHTS RESERVED.

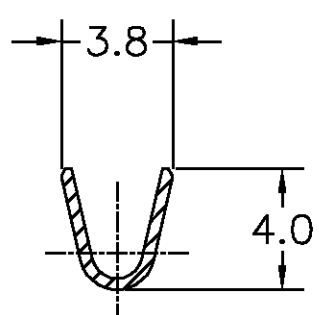
CAD
 AutoCAD
 DO NOT REVISE
 EXCEPT BY CAD

LOC AP DIST -

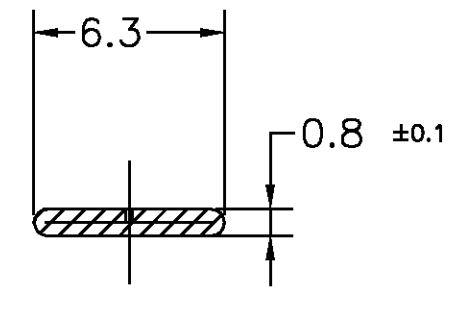
REVISIONS				DATE DATA	DWN DES	APVD APR
P	LTR LT	DESCRIPTION DESRIGCO				
	A	RELEASED	12JUN2008	RKTL	DAO	



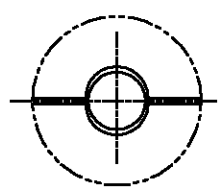
SECTION B-B



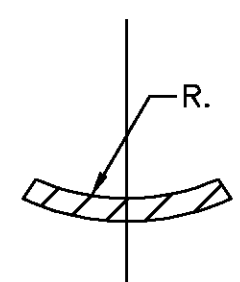
SECTION A-A



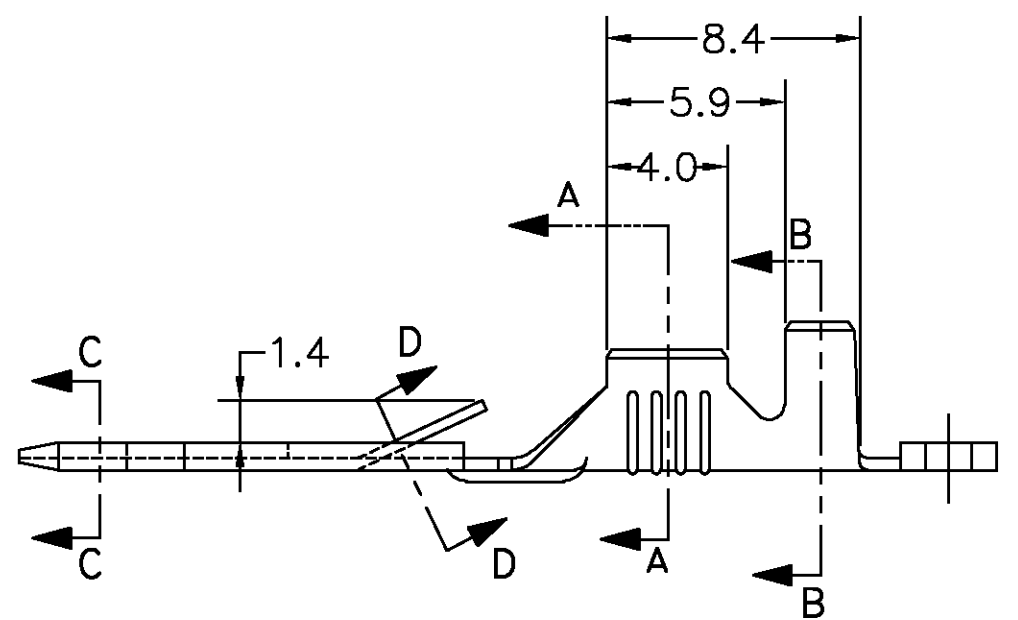
SECTION C-C



DETAIL Z
 COSTRUÇÃO OPCIONAL
 OPTIONAL CONSTRUCTION



SECTION D-D



---	ESTANHDO/TINNED	LATÃO/BRASS 100-86 082	1599053-2
---	ESTANHDO/TINNED	BRONZE FOSF./PHOSF BRONZE	1599053-1
OTHER TREATMENT	FINISH	MATERIAL	PART NUMBER

THIS DRAWING IS A CONTROLLED DOCUMENT.		DWN/DES R.K.S.T.LEME 11JUN2008	Tyco Electronics Sao Paulo, Brasil	
DIMENSIONS: DIMENSÕES mm		CHK/CH E.LOPES 12JUN2008	NAME DESRI GCO	
TOLERANCES UNLESS OTHERWISE SPECIFIED: TOLERANCIA NAO ESPECIFICADAS		APVD /APR D.A.OLIVEIRA 12JUN2008	.250 SER. FASTIN - FASTON TAB	
0 PLC/DEC ± - 1 PLC/DEC ± 0,3 2 PLC/DEC ± - 3 PLC/DEC ± - 4 PLC/DEC ± - ANGLES/ANGULARES ± 1'		PRODUCT SPEC 108-37015	SIZE A3	CAGE CODE 00779
MATERIAL SEE TABLE		FINISH ACABAMENTO -	DRAWING NO DESENHO NO C-1599053	RESTRICTED TO -
WIRE RANGE >1,0-2,5 mm2	INS. RANGE 2,1- 2,9 mm	WEIGHT -	CUSTOMER DRAWING/DESENHO DE CLIENTE	SCALE ESCALA 1:1
			SHEET FOLHA 1 DE 1	REV A