

Contact assignment:

- 1) brown
- 2) white
- 3) blue
- 4) black
- 5) grey

Technical specification:

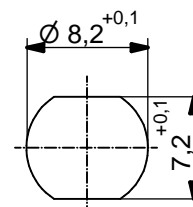
| | |
|-------------------------------------|---------------------------|
| Rated voltage: IEC 61076-2-104 | 30 V |
| Current rating: IEC 61076-2-104 | 3 A bei 40°C |
| Insulation resistance: IEC 60512 | >=100 MΩ |
| Pollution degree: IEC 60664-1 | 3/2 |
| Degree of protection: IEC 60529 | IP 67, in mated condition |
| Temperature range: IEC 60664-1 | -30°C ... +80°C |
| Mating cycles: IEC 60512-9a | >=100 |

Materials:

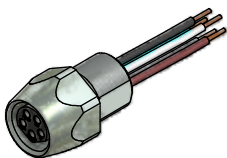
| | |
|------------------|---------------------------|
| Contact: | CuZn |
| Contact plating: | Nickel, gold plated |
| Contact carrier: | TPU GF, UL 94 |
| Sealing: | NBR |
| Socket housing: | CuZn, nickel plated |
| Grouting: | Polyurethane-resin, UL 94 |

Installation specification:

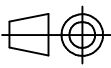

| | |
|--------------------------|---|
| recommended torque: | 0,6-0,8 Nm |
| Conec installation tool: | torque wrench: 36-000200 insert across flats 10: 36-000270 |



Minimum wall thickness
1,5mm, alternativ panel
cut-out d=8,2



| Part no: | Description: | Pos | Length L: | Wire: |
|----------|------------------------|-----|-----------|----------------|
| 42-01069 | SAL - 8B - FK5.1 - 0,2 | 5 | 0,2m | AWG 24 PVC, UL |
| 42-xxxxx | SAL - 8B - FK5.1 - ... | 5 | x | |

| | | | | | |
|---|--|--|----------|---|-----------------|
| DO NOT ALTER CAD DRAWING BY HAND Directive 2002/95/EC RoHS compliant | Index: a 02.05.11 VF Ä3914 technical specification modified, wires site B stripped |  dim. in mm | | title: Female socket M8x1 with wires, frontmounting, B-coding | |
| | tolerance of wire: L ≤ 0,5m: L + 20mm L > 0,5m: L + 4% | drawn | 03.08.10 | | Fromm |
| | THIS DRAWING MAY NOT BE COPIED OR REPRODUCED IN ANY WAY, AND MAY NOT BE PASSED ON TO A THIRD PARTY WITHOUT WRITTEN PERMISSION. OWNERSHIP AND COPYRIGHT OF CONEC GmbH | appd. | 03.08.10 | Mankopf | dwg no: |
| | |  | | | 42K1A239 |
| | | | | part no: see table | |