

SUMMARY



Image is for illustrative purpose only

Wires

Low	0
High	0
Coax	1
Triax	0
Quad	0
Fiber	0
Fluidic	0

Download

[Request a quote](#)

[Catalog](#)

Series	0A
Termination type	Female solder
IP rating	50
Cable Ø	0.00 - 0.00 mm
Matching parts	FFA.0A.275.NTAC27
Status	
Alternative part	

TECHNICAL DETAILS

Mechanics

Shell Style/Model	ERN*: Fixed receptacle with tag, nut fixing
Keying	
Housing Material	Brass (nickel plated) shell, collet nut, latch sleeve and mid pieces
Cable Fixing	∅ 0 - 0 mm
Variant	

Performance

Configuration	0.27 : 1 Coax (75 Ohm)
Insulator	
Rated Current	

Specifications

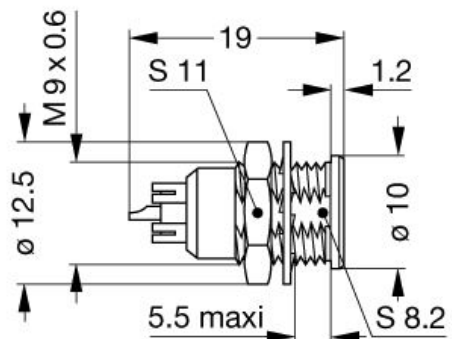
Contact Type:	Coaxial 75 Ohm (Solder)
Max. Matings:	1000

Others

IP Rating:	50
------------	----

DRAWINGS

Draws



Dimensions

	A	B	Emax	L	M	S1	S2	e1
mm.	10	12.5	5.5	19	1.2	8.2	11	M9x0.6
in.	0,39	0,49	0,22	0,75	0,05	0,32	0,43	

RECOMMENDED BY LEMO

Tools

None

Cables