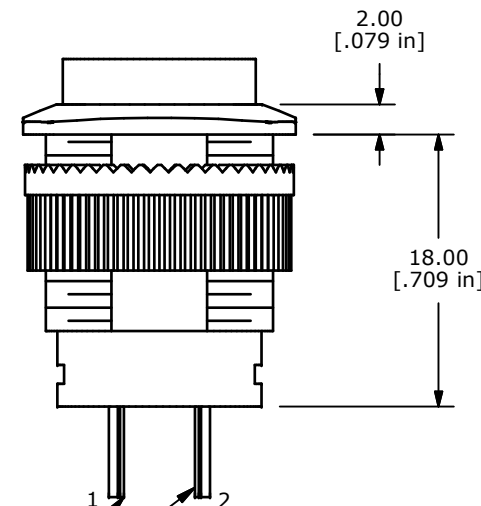
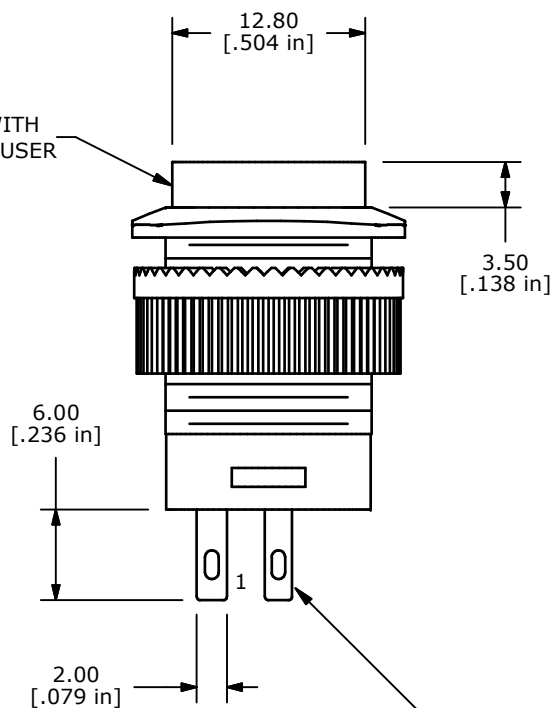


NOTE:

1. ALL DIMENSIONS IN MM [INCH]
2. GENERAL TOLERANCE: X.X=±0.4  
X.XX=±0.25
3. TERMINAL NUMBERS FOR REF ONLY
4. CIRCUIT: SPST OFF - ON
- ▲ 5. CONTACT RATING: 3A @ 125VAC, 1.5A @ 250VAC
6. ELECTRICAL LIFE: 6,000 CYCLES AT FULL LOAD MIN.
7. CONTACT RESISTANCE: 50 milli-OHM max. (INITIAL)
8. INSULATION RESISTANCE: 100 MEGA-OHM min. @ 500VDC.
9. DIELECTRIC STRENGTH: 1,500VAC FOR 1 MINUTE.
- ▲ 10. LED: RED
11. OPERATING TEMPERATURE: -0°C TO +65°C.
12. PANEL THICKNESS RANGE: 7.0 mm MAX.
13. ▲ DENOTES CRITICAL PARAMETER.
14. 2002/95/EC (ROHS) COMPLIANT
15. HARDWARE INCLUDED: Mounting Nut

▲ RED CAP WITH WHITE DIFFUSER



▲ LED SPECS	UNITS	RED
FORWARD CURRENT	mA	20
FORWARD VOLTAGE	V	1.8-2.4
LUMINOUS INTENSITY	MCD	20



E	21029	RED WAS BLUE	2/13/13	EBP
D	19613	DRAWING UPDATE	1/20/11	BGL
REV	PCR NO	DESCRIPTION	DATE	BY

TITLE RP3508BBLKREDREDNS				
SCALE	DATE	DR	DWG	REV
2 : 1	1/21/2011	BGL	F130412	E

THE INFORMATION CONTAINED IN THIS DOCUMENT IS PROPRIETARY TO E-SWITCH AND IS NOT TO BE COPIED OR TRANSFERRED